

TECHNICAL SPECIFICATIONS

DT4BE Series

R-410A High Efficiency Heat Pump

14 SEER Split System 1.5 – 5 Ton Capacity

The DT4BE Series now offers the choice of an heat pump that uses a more efficient and environmentally friendly refrigerant designated R-410A. The DT4BE Series of heat pumps offers exceptional performance. The unit, when combined with our engineered coils or air handlers, offers a full line of quality, split system cooling and heating equipment.

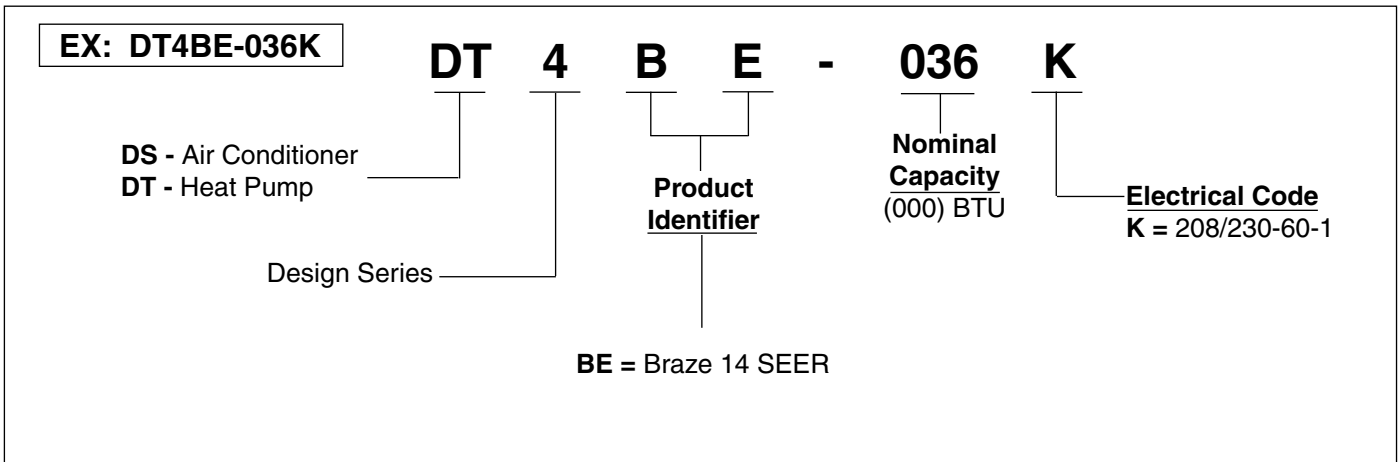
When matched with our variable speed air handler, or our variable speed blower kits, the DT4BE is rated up to 15 SEER and 8.5+ HSPF. Units are ideally sized for slab or rooftop mounting in single, multifamily, and light commercial applications.



FEATURES and BENEFITS

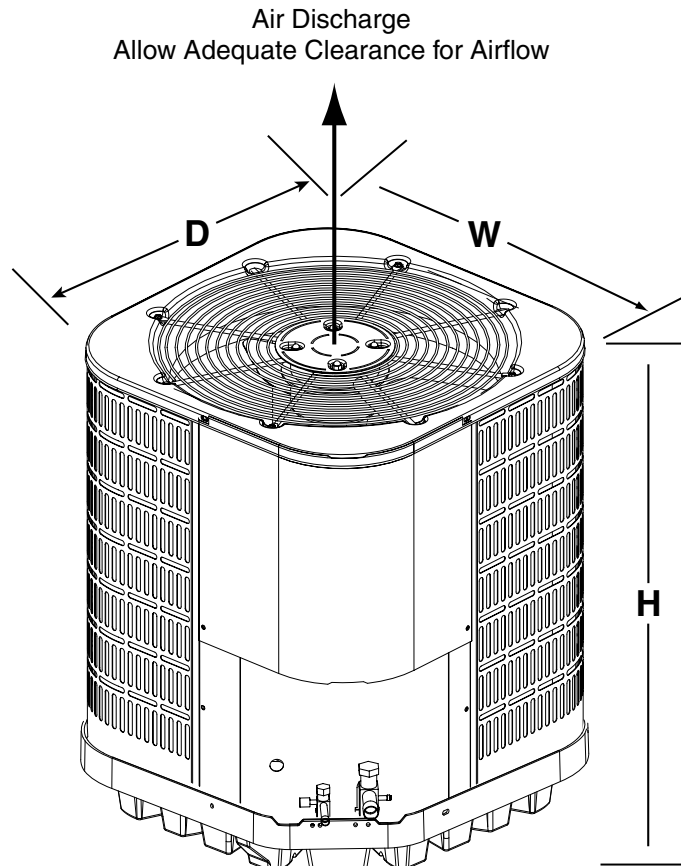
- **R-410A Refrigerant:** Earth friendly non-ozone depleting refrigerant.
- **Composite Base Pan:** Absorbs sound and is corrosion resistant. Composite is also stronger and lighter than steel.
- **Copper Tube / Aluminum Fin Coils:** Both indoor and outdoor coils are designed to optimize heat transfer, minimize size and cost, and increase durability and reliability.
- **Permanently Lubricated Motor:** A heavy duty PSC motor for long lasting reliability and quiet operation. Requires no maintenance and is completely protected from rain and snow.
- **Durable, Attractive Cabinet:** Designed using galvanized steel with a polyester urethane finish. The 950 hour salt spray finish is 1.5 mil thick and resists corrosion 50% better than comparable units.
- **Removable Top Grille Assembly:** Allows ease of service from the top without disconnecting fan motor leads.
- **High Pressure Switch:** Protects against abnormally high system pressures. Auto-reset feature prevents nuisance service visits.
- **Liquid Line Filter Drier:** Included with unit, field installed.
- **One Piece Top/Orifice:** Designed for maximum airflow and quiet operation.
- **Five Minute Restart Time Delay:** When the unit shuts down, a five minute delay keeps the unit from restarting, eliminating the highest cause for compressor failure.
- **Suction Accumulator:** Protection from liquid flood back and future compressor failures.
- **Hot Gas Muffler:** Reduces compressor noise and vibration.
- **Easy Compressor and Control Access:** Designed to make servicing easier for the contractor, access panels are provided to all controls and the compressor from the side of the unit.
- **Steel Guard™:** Protects the unit's coil from being damaged by balls, lawnmowers, hail etc.

MODEL IDENTIFICATION CODES



DIMENSIONS OUTDOOR SECTION

DT4BE	018K	024K	030K	036K	042K	048K	060K
H	43	43	43	43	43	43	43
W	30 3/4	30 3/4	30 3/4	30 3/4	30 3/4	30 3/4	30 3/4
D	30 3/4	30 3/4	30 3/4	30 3/4	30 3/4	30 3/4	30 3/4



PHYSICAL AND ELECTRICAL SPECIFICATIONS / OUTDOOR UNITS

14 SEER — High Efficiency — Single Phase

Model Number DT4BE		018K	024K	030K	036K	042K	048K	060K	
Electrical Data	Volts-Cycles-Phase (1)	208/230-60-1	208/230-60-1	208/230-60-1	208/230-60-1	208/230-60-1	208/230-60-1	208/230-60-1	
	Total Amps	11.86	16.34	15.7	16.98	20.82	21.24	27.64	
	Delay Fuse Max. (2)	20	30	30	30	40	45	60	
	Min. Circuit Ampacity	14.1	19.7	18.9	20.5	25.3	26.2	34.2	
Condenser Data	Coil	Area ft ²	25.4	25.4	25.4	25.4	25.4	25.4	25.4
		Rows-FPI	1-20	1-20	1-20	1-20	2-16	2-16	2-16
		Tube Dia	3/8" O.D.	3/8" O.D.	3/8" O.D.	3/8" O.D.	3/8" O.D.	3/8" O.D.	3/8" O.D.
	Fan Motor	Type	BLDC	BLDC	BLDC	BLDC	BLDC	PSC	PSC
		Amps	2.9	2.9	2.9	2.9	2.9	1.4	1.4
		Watts-HP	1/3	1/3	1/3	1/3	1/3	1/4	1/4
	Fan Blade	Dia-# Blades	24"-2	24"-2	24"-2	24"-2	24"-2	24"-2	24"-2
		SCFM	2800	2800	2800	3400	4000	4000	4000
	Compressor Data	RLA	8.96	13.44	12.8	14.08	17.92	19.84	26.24
		LRA	48	58.3	64	77	112	109	134
Refrigerant suction line O.D.(all length of liquid line are 3/8" O.D.)	0-24 ft.	3/4"	3/4"	3/4"	7/8"	7/8"	7/8"	7/8"	
	25-39 ft.	3/4"	3/4"	3/4"	7/8"	7/8"	1 1/8" (3)	1 1/8" (3)	
	40-75 ft.	3/4"	3/4"	3/4"	7/8"	7/8"	1 1/8" (3)	1 1/8" (3)	
Weight Approximate (lbs.)	Net	179	180	180	182	279	280	290	
	Ship	188	189	189	191	294	295	305	
Sound Ratings db		78	78	78	79	79	79	79	

(1) Operating Voltage Range: 187V min.- 253V max.

(2) HACR Type Circuit Breaker may be used.

(3) Requires 7/8" to 1-1/8" reducer from line to unit.

ACCESSORIES - Condensing Unit

Start Assist Kit - 912933

Provides additional starting torque for the compressor motor when operating with low line voltage or high operating temperatures.

Snow Stand

Plastic-coated, molded wire stand which elevates units 7-1/4" above ground level.

913145 - (024 through 048) Shipped six (6) per box.

Outdoor Thermostat - 913235

Two-stage logic provides ability to lock out electric strips down to balance point and bring on in stages.

Time Delay Relay Kit (TDR) - 911758

FSHE Blower Kit (B - Cabinet) - 904619

Fixed High Speed Efficiency Motor

SYSTEM HEATING AND COOLING CAPACITIES

14+ SEER — High Efficiency — Single Phase

Outdoor Unit	Indoor Unit	Coil Height	Cooling Capacity	SEER	EER	HSPF	CFM	47F Capacity
DT4BE-018K	C8(B,D)AM01830U-B+TXV	20"	18,000	14.00	12.20	8.20	655	18,000
DT4BE-024K	C8(B,D)AM01830U-B+TXV	20"	22,800	14.00	12.20	8.20	830	24,000
DT4BE-030K	C8(B,D)AM01830U-B+TXV	20"	28,200	14.00	12.20	8.20	990	29,200
DT4BE-036K	C8(B,D)AM036U-B+TXV	20"	33,800	14.00	11.70	8.20	1205	35,800

Outdoor Unit	Indoor Unit	BTUH	SEER	EER	Heating Capacity BTUH @ 47 F	HSPF	SCFM
DT4BE-018K	B6BM-X24K-A	18,000	14.0	12.2	19,000	8.2	675
DT4BE-018K	B6BM-X24K-B	18,000	14.0	12.2	19,000	8.2	675
DT4BE-024K	B6BM-X24K-A	23,200	14.0	12.2	25,000	8.2	700
DT4BE-024K	B6BM-X24K-B	23,200	14.0	12.2	25,000	8.2	700
DT4BE-030K	B6BM-X30K-A	27,600	14.0	12.2	28,200	8.2	905
DT4BE-030K	B6BM-X30K-B	27,600	14.0	12.2	28,200	8.2	905
DT4BE-036K	B6EMMX36K-B	34,200	15.0	12.5	34,200	8.5	1270
DT4BE-042K	B6BM-X42K-B	39,000	14.0	11.0	39,000	8.2	1340
DT4BE-048K	B6BM-X60K-C	45,500	14.0	12.2	44,000	8.2	1575
DT4BE-060K	B6EMMX60K-C	58,000	14.1	11.5	60,000	8.5	1710

Outdoor Unit	Indoor TXV Coil Model Number	Indoor Unit Model Number	Cooling Capacity Btu/h	SEER	EER	Heating Capacity Btu/h @ 47°F	HSPF	Nominal SCFM
DT4BE-024K	C5B(A,H)-X25(C,U)-B	E3EB(*)+FSHE	23800	15	12.5	24000	8.5	750
DT4BE-030K	C5B(A,H)-X30(C,U)-B	E3EB(*)+FSHE	27600	15	12.5	29000	8.5	885
DT4BE-036K	C5B(A,H)-X37(C,U)-B	E3EB(*)+FSHE	34200	15	12.5	34400	8.5	1200
DT4BE-042K	C5B(A,H)-X42(C,U)-B	E3EB(*)+FSHE	39500	15	12.5	38500	8.5	1340

All ratings are with time delay relay.

See current AHRI Directory for certified combinations and ratings.

www.ahridirectory.org

14 SEER COOLING EXPANDED RATINGS - LOOSE COIL

DT4BE-018K C8(B,D)AM01830U-B + TXV Kit

CFM	O.D.T		65°F			75°F			85°F			95°F			105°F			115°F		
	E.D.B.	E.W.B.	T.C.	S.C.	K.W.	T.C.	S.C.	K.W.	T.C.	S.C.	K.W.	T.C.	S.C.	K.W.	T.C.	S.C.	K.W.	T.C.	S.C.	K.W.
525	80	62	18.7	14.8	0.99	18.0	14.6	1.13	17.2	14.7	1.26	16.4	14.4	1.41	15.52	15.18	1.56	14.58	14.26	1.74
	80	67	20.5	12.0	0.98	19.6	11.9	1.12	18.8	12.0	1.26	17.9	11.7	1.41	16.87	11.53	1.57	15.81	10.73	1.75
	80	72	22.8	9.3	0.97	21.9	9.3	1.11	20.9	9.5	1.26	19.8	9.3	1.41	18.69	9.11	1.57	17.44	9.32	1.75
	75	63	18.9	11.6	0.99	18.1	11.5	1.12	17.3	11.6	1.26	16.5	11.3	1.41	15.58	10.35	1.56	14.57	11.12	1.74
600	80	62	19.3	15.9	1.02	18.5	16.2	1.15	17.7	15.8	1.29	16.8	15.7	1.43	16.05	15.50	1.59	15.18	15.05	1.77
	80	67	21.0	12.8	1.01	20.1	13.1	1.15	19.2	12.7	1.29	18.2	12.6	1.43	17.17	12.54	1.60	16.08	12.49	1.77
	80	72	23.3	9.9	1.00	22.3	10.3	1.14	21.2	10.0	1.29	20.1	9.9	1.44	18.66	9.91	1.60	17.44	9.88	1.78
	75	63	19.4	12.3	1.02	18.6	12.6	1.15	17.7	12.2	1.29	16.8	12.1	1.43	15.86	12.00	1.59	14.83	11.91	1.77
675	80	62	19.7	17.2	1.04	18.9	17.3	1.17	18.2	16.9	1.31	17.4	16.5	1.46	16.56	16.00	1.62	15.64	15.57	1.80
	80	67	21.4	13.7	1.03	20.5	13.8	1.17	19.5	13.5	1.31	18.5	13.4	1.46	17.44	13.24	1.62	16.29	13.24	1.80
	80	72	23.7	10.6	1.02	22.6	10.8	1.17	21.2	10.5	1.31	20.1	10.4	1.47	18.90	10.29	1.63	17.65	10.33	1.81
	75	63	19.8	13.2	1.04	18.9	13.3	1.17	18.0	12.9	1.31	17.1	12.8	1.46	16.10	12.65	1.62	15.02	12.61	1.80

DT4BE-024K C8(B,D)AM01830U-B + TXV Kit

CFM	O.D.T		65°F			75°F			85°F			95°F			105°F			115°F		
	E.D.B.	E.W.B.	T.C.	S.C.	K.W.	T.C.	S.C.	K.W.	T.C.	S.C.	K.W.	T.C.	S.C.	K.W.	T.C.	S.C.	K.W.	T.C.	S.C.	K.W.
700	80	62	23.7	19.0	1.31	22.8	18.8	1.47	21.8	18.9	1.63	20.7	18.6	1.81	19.63	19.27	2.01	18.58	18.24	2.23
	80	67	25.7	15.0	1.31	24.7	15.1	1.47	23.6	15.3	1.64	22.4	15.0	1.82	21.19	14.69	2.02	19.87	13.86	2.24
	80	72	28.6	11.9	1.30	27.3	11.8	1.47	26.1	12.0	1.64	24.7	11.8	1.83	23.25	11.58	2.03	21.50	11.81	2.25
	75	63	23.8	14.8	1.31	22.9	14.6	1.47	21.9	14.7	1.63	20.8	14.4	1.81	19.62	13.22	2.01	18.38	14.19	2.23
800	80	62	24.3	20.4	1.35	23.3	20.8	1.50	22.3	20.4	1.67	21.3	20.0	1.85	20.34	19.66	2.05	19.24	19.07	2.27
	80	67	26.3	16.2	1.34	25.2	16.7	1.50	24.1	16.2	1.67	22.8	16.0	1.86	21.54	15.97	2.05	20.17	15.90	2.28
	80	72	29.1	12.5	1.34	27.8	13.1	1.51	26.3	12.7	1.69	24.7	12.5	1.87	23.33	12.52	2.07	21.82	12.50	2.29
	75	63	24.3	15.7	1.35	23.3	16.0	1.50	22.3	15.6	1.67	21.1	15.4	1.85	19.93	15.29	2.05	18.65	15.18	2.27
900	80	62	24.8	22.1	1.38	23.9	22.2	1.54	23.0	21.5	1.71	22.0	20.9	1.89	20.93	20.23	2.09	19.76	19.68	2.31
	80	67	26.8	17.4	1.38	25.6	17.6	1.54	24.4	17.1	1.71	23.2	17.0	1.89	21.81	16.85	2.09	20.44	16.87	2.31
	80	72	29.1	13.4	1.38	27.8	13.6	1.55	26.5	13.2	1.72	25.1	13.1	1.90	23.61	13.00	2.10	22.05	13.06	2.33
	75	63	24.8	16.8	1.38	23.7	16.9	1.54	22.6	16.4	1.71	21.4	16.3	1.89	20.22	16.12	2.08	18.92	16.44	2.31

DT4BE-030K C8(B,D)AM01830U-B + TXV Kit

CFM	O.D.T		65°F			75°F			85°F			95°F			105°F			115°F		
	E.D.B.	E.W.B.	T.C.	S.C.	K.W.	T.C.	S.C.	K.W.	T.C.	S.C.	K.W.	T.C.	S.C.	K.W.	T.C.	S.C.	K.W.	T.C.	S.C.	K.W.
875	80	62	28.9	22.2	1.71	27.9	22.8	1.87	26.7	22.9	2.06	25.5	22.6	2.27	24.20	23.69	2.51	22.90	22.42	2.78
	80	67	31.7	18.4	1.72	30.4	18.2	1.88	29.1	18.4	2.07	27.8	18.1	2.27	26.33	17.83	2.51	24.77	16.71	2.79
	80	72	34.9	14.2	1.72	33.5	14.2	1.89	32.1	14.5	2.07	30.6	14.2	2.28	29.01	14.00	2.52	27.29	14.38	2.80
	75	63	29.3	17.8	1.71	28.2	17.7	1.88	27.0	17.8	2.06	25.7	17.5	2.27	24.37	16.08	2.51	22.84	17.29	2.78
1000	80	62	29.7	24.7	1.76	28.6	25.2	1.92	27.4	24.7	2.11	26.1	24.5	2.32	25.15	24.30	2.56	23.86	23.66	2.83
	80	67	32.4	19.5	1.76	31.0	20.1	1.93	29.7	19.6	2.12	28.3	19.4	2.32	26.79	19.40	2.56	25.15	19.39	2.84
	80	72	35.6	15.0	1.77	34.2	15.7	1.93	32.7	15.2	2.12	31.1	15.1	2.33	29.45	15.24	2.57	27.65	15.37	2.84
	75	63	30.0	18.9	1.76	28.8	19.4	1.92	27.5	18.9	2.11	26.2	18.6	2.32	24.78	18.59	2.56	23.23	18.52	2.83
1125	80	62	30.4	26.8	1.81	29.2	27.0	1.97	28.3	26.3	2.16	27.2	25.8	2.37	25.92	25.04	2.61	24.55	24.45	2.88
	80	67	32.9	20.9	1.81	31.6	21.2	1.98	30.2	20.7	2.16	28.7	20.6	2.37	27.15	20.47	2.61	25.47	20.57	2.89
	80	72	36.2	16.0	1.82	34.7	16.4	1.98	33.1	15.9	2.16	31.5	16.0	2.37	29.71	15.97	2.61	27.82	16.17	2.89
	75	63	30.5	20.2	1.81	29.3	20.4	1.97	28.0	19.9	2.15	26.6	19.8	2.36	25.12	19.59	2.61	23.53	19.60	2.88

DT4BE-036K C8(B,D)AM036U-B + TXV Kit

CFM	O.D.T		65°F			75°F			85°F			95°F			105°F			115°F		
	E.D.B.	E.W.B.	T.C.	S.C.	K.W.	T.C.	S.C.	K.W.	T.C.	S.C.	K.W.	T.C.	S.C.	K.W.	T.C.	S.C.	K.W.	T.C.	S.C.	K.W.
1050	80	62	35.3	28.1	2.03	33.9	27.9	2.25	32.5	28.0	2.49	30.9	27.4	2.75	29.33	28.76	3.06	27.60	27.07	3.41
	80	67	38.1	22.6	2.03	36.5	22.4	2.26	35.0	22.5	2.50	33.3	22.0	2.77	31.49	21.60	3.07	29.56	20.34	3.42
	80	72	42.2	17.7	2.07	40.3	17.6	2.29	38.0	17.9	2.53	35.7	17.4	2.79	33.71	17.01	3.09	31.58	17.24	3.44
	75	62	34.8	22.8	2.02	33.4	22.6	2.25	31.9	22.7	2.48	30.4	22.1	2.75	28.71	20.33	3.06	26.93	21.74	3.41
1200	80	62	36.2	30.2	2.08	34.7	30.8	2.30	33.2	30.1	2.54	31.7	29.7	2.81	30.24	29.22	3.11	28.64	28.39	3.47
	80	67	38.9	23.9	2.09	37.3	24.5	2.32	35.7	23.8	2.56	33.9	23.5	2.83	32.04	23.42	3.13	30.01	23.26	3.48
	80	72	41.9	18.5	2.11	40.1	19.2	2.34	38.2	18.6	2.58	36.3	18.3	2.85	34.21	18.21	3.15	32.02	18.11	3.49
	75	62	35.6	24.2	2.08	34.1	24.7	2.30	32.6	24.0	2.54	31.0	23.6	2.80	29.20	23.45	3.11	27.45	23.74	3.46
1350	80	62	36.9	32.6	2.13	35.5	32.8	2.35	34.2	31.8	2.60	32.7	31.1	2.87	31.12	30.07	3.17	29.38	29.26	3.52
	80	67	39.6	25.6	2.15	37.9	25.8	2.37	36.2	25.1	2.61	34.4	24.9	2.88	32.44	24.61	3.18	30.41	24.57	3.53
	80	72	42.5	19.6	2.16	40.7	19.9	2.39	38.8	19.2	2.63	36.7	19.0	2.90	34.57	18.76	3.20	32.28	18.72	3.55
	75	62	36.2	25.9	2.13	34.7	26.0	2.35	33.1	25.3	2.59	31.5	25.7	2.86	29.71	25.30	3.16	27.77	25.14	3.51

14 SEER HEATING EXPANDED RATINGS - LOOSE COIL

DT4BE-018K / C8(B,D)AM01830U-B + TXV Kit

CFM		Indoor T. Deg.F	OUTDOOR TEMPERATURE (Deg. F)																							
			10			17			20			30			40			47			50			60		
			MBH	COP	kW	MBH	COP	kW	MBH	COP	kW	MBH	COP	kW	MBH	COP	kW	MBH	COP	kW	MBH	COP	kW	MBH	COP	kW
565	60	10.6	2.35	1.32	12.6	2.69	1.38	13.5	2.83	1.40	16.4	3.27	1.47	19.3	3.66	1.55	21.4	3.91	1.60	22.3	4.01	1.63	25.2	4.34	1.70	
	70	10.0	2.37	1.24	11.9	2.66	1.32	12.7	2.77	1.35	15.4	3.11	1.45	18.1	3.40	1.56	19.9	3.58	1.63	20.7	3.65	1.67	23.4	3.88	1.77	
	80	9.5	2.35	1.18	11.2	2.58	1.27	11.9	2.68	1.30	14.3	2.95	1.42	16.7	3.17	1.55	18.4	3.31	1.63	19.2	3.37	1.67	21.6	3.54	1.79	
665	60	10.6	2.28	1.37	12.7	2.63	1.42	13.6	2.77	1.44	16.6	3.22	1.51	19.6	3.62	1.59	21.7	3.88	1.64	22.6	3.98	1.66	25.5	4.32	1.74	
	70	10.2	2.30	1.29	12.1	2.59	1.37	12.9	2.71	1.40	15.6	3.05	1.50	18.3	3.36	1.60	20.2	3.55	1.67	21.1	3.62	1.70	23.8	3.86	1.81	
	80	9.6	2.30	1.22	11.3	2.54	1.31	12.1	2.63	1.35	14.6	2.90	1.47	17.1	3.13	1.60	18.8	3.28	1.68	19.6	3.33	1.72	22.0	3.50	1.85	
765	60	10.8	2.24	1.41	12.9	2.59	1.46	13.8	2.73	1.48	16.8	3.18	1.55	19.8	3.59	1.62	21.9	3.85	1.67	22.8	3.96	1.69	25.8	4.31	1.76	
	70	10.3	2.26	1.33	12.2	2.55	1.40	13.0	2.67	1.43	15.8	3.02	1.53	18.6	3.33	1.64	20.5	3.53	1.71	21.4	3.61	1.74	24.1	3.85	1.84	
	80	9.7	2.25	1.26	11.5	2.49	1.35	12.2	2.58	1.39	14.7	2.85	1.51	17.2	3.08	1.64	19.0	3.22	1.73	19.7	3.28	1.77	22.3	3.45	1.89	

DT4BE-024K / C8(B,D)AM01830U-B + TXV Kit

CFM		Indoor T. Deg.F	OUTDOOR TEMPERATURE (Deg. F)																							
			10			17			20			30			40			47			50			60		
			MBH	COP	kW	MBH	COP	kW	MBH	COP	kW	MBH	COP	kW	MBH	COP	kW	MBH	COP	kW	MBH	COP	kW	MBH	COP	kW
730	60	13.0	2.43	1.58	15.7	2.79	1.65	16.9	2.94	1.69	20.7	3.38	1.80	24.6	3.78	1.91	27.3	4.03	1.99	28.4	4.13	2.02	32.3	4.45	2.13	
	70	12.5	2.38	1.53	15.0	2.69	1.63	16.1	2.82	1.67	19.7	3.18	1.81	23.3	3.50	1.95	25.8	3.69	2.05	26.9	3.77	2.09	30.5	4.01	2.23	
	80	11.9	2.30	1.51	14.2	2.57	1.62	15.2	2.68	1.67	18.6	2.99	1.83	22.0	3.25	1.99	24.4	3.41	2.10	25.4	3.48	2.14	28.8	3.67	2.30	
830	60	13.1	2.38	1.62	15.8	2.74	1.69	17.0	2.89	1.72	20.9	3.35	1.83	24.8	3.75	1.94	27.6	4.01	2.02	28.8	4.12	2.05	32.7	4.44	2.16	
	70	12.6	2.33	1.58	15.1	2.65	1.68	16.2	2.77	1.72	19.9	3.15	1.85	23.6	3.48	1.99	26.1	3.68	2.08	27.2	3.76	2.12	30.9	4.01	2.26	
	80	12.0	2.26	1.55	14.4	2.54	1.66	15.4	2.65	1.71	18.9	2.96	1.87	22.3	3.23	2.03	24.7	3.40	2.14	25.8	3.46	2.18	29.2	3.66	2.34	
930	60	13.2	2.33	1.66	16.0	2.70	1.73	17.2	2.85	1.76	21.1	3.32	1.87	25.1	3.73	1.97	27.8	4.00	2.04	29.0	4.10	2.07	33.0	4.44	2.18	
	70	12.7	2.30	1.62	15.3	2.62	1.71	16.4	2.74	1.75	20.1	3.13	1.89	23.8	3.46	2.02	26.4	3.67	2.11	27.6	3.75	2.15	31.3	4.01	2.29	
	80	12.1	2.23	1.59	14.5	2.50	1.70	15.6	2.61	1.75	19.0	2.93	1.91	22.5	3.20	2.06	24.9	3.37	2.17	26.0	3.43	2.22	29.4	3.63	2.37	

DT4BE-030K / C8(B,D)AM01830U-B + TXV Kit

CFM		Indoor T. Deg.F	OUTDOOR TEMPERATURE (Deg. F)																							
			10			17			20			30			40			47			50			60		
			MBH	COP	kW	MBH	COP	kW	MBH	COP	kW	MBH	COP	kW	MBH	COP	kW	MBH	COP	kW	MBH	COP	kW	MBH	COP	kW
890	60	16.1	2.59	1.82	18.9	2.90	1.91	20.0	3.02	1.95	24.0	3.40	2.07	27.9	3.73	2.20	30.7	3.94	2.28	31.9	4.03	2.32	35.8	4.30	2.44	
	70	15.5	2.49	1.82	18.1	2.75	1.93	19.2	2.85	1.97	22.9	3.17	2.12	26.6	3.44	2.27	29.2	3.61	2.38	30.4	3.68	2.42	34.1	3.89	2.57	
	80	14.9	2.38	1.84	17.3	2.60	1.96	18.4	2.69	2.01	21.9	2.95	2.17	25.4	3.18	2.34	27.8	3.32	2.46	28.8	3.38	2.51	32.3	3.55	2.67	
990	60	16.2	2.54	1.86	19.0	2.86	1.95	20.2	2.98	1.98	24.2	3.37	2.10	28.2	3.72	2.22	31.0	3.94	2.31	32.2	4.03	2.34	36.2	4.31	2.47	
	70	15.6	2.45	1.87	18.2	2.72	1.97	19.4	2.82	2.01	23.1	3.15	2.16	26.9	3.43	2.30	29.5	3.61	2.40	30.7	3.68	2.45	34.5	3.90	2.59	
	80	15.0	2.34	1.88	17.5	2.57	1.99	18.5	2.66	2.04	22.1	2.94	2.21	25.7	3.17	2.37	28.2	3.32	2.49	29.2	3.38	2.54	32.8	3.56	2.70	
1090	60	16.2	2.50	1.90	19.1	2.82	1.99	20.3	2.95	2.02	24.4	3.34	2.14	28.4	3.70	2.25	31.3	3.93	2.33	32.5	4.02	2.37	36.5	4.31	2.48	
	70	15.7	2.42	1.90	18.4	2.70	2.00	19.5	2.80	2.04	23.4	3.13	2.19	27.2	3.42	2.33	29.8	3.61	2.43	31.0	3.68	2.47	34.8	3.91	2.61	
	80	15.1	2.32	1.91	17.6	2.55	2.03	18.7	2.64	2.08	22.3	2.92	2.24	25.9	3.16	2.40	28.4	3.30	2.52	29.4	3.36	2.57	33.0	3.55	2.73	

DT4BE-036K / C8(B,D)AM036U-B + TXV Kit

CFM		Indoor T. Deg.F	OUTDOOR TEMPERATURE (Deg. F)																							
			10			17			20			30			40			47			50			60		
			MBH	COP	kW	MBH	COP	kW	MBH	COP	kW	MBH	COP	kW	MBH	COP	kW	MBH	COP	kW	MBH	COP	kW	MBH	COP	kW
1205	60	18.8	2.40	2.29	22.3	2.78	2.36	23.8	2.93	2.38	28.8	3.41	2.48	33.8	3.87	2.57	37.4	4.16	2.63	38.9	4.29	2.66	43.9	4.68	2.75	
	70	18.1	2.25	2.36	21.5	2.58	2.43	22.9	2.72	2.47	27.7	3.16	2.57	32.5	3.56	2.68	35.9	3.82	2.76	37.3	3.93	2.79	42.2	4.27	2.90	
	80	17.5	2.10	2.45	20.7	2.41	2.53	22.1	2.53	2.56	26.7	2.92	2.68	31.3	3.28	2.80	34.5	3.52	2.88	35.9	3.61	2.91	40.4	3.92	3.03	
1205	60	18.7	2.39	2.29	22.2	2.77	2.36	23.8	2.92	2.39	28.8	3.41	2.48	33.8	3.86	2.57	37.4	4.16	2.63	38.9	4.28	2.66	43.9	4.68	2.75	
	70	18.1	2.25	2.36	21.5	2.58	2.43	22.9	2.72	2.47	27.7	3.16	2.57	32.5	3.56	2.68	35.9	3.82	2.76	37.3	3.93	2.79	42.2	4.27	2.90	
	80	17.5	2.10	2.44	20.7	2.41	2.52	22.1	2.53	2.56	26.7	2.93	2.68	31.3	3.28	2.79	34.5	3.52	2.88	35.9	3.61	2.91	40.5	3.92	3.03	
1205	60	18.6	2.37	2.30	22.2	2.75	2.37	23.7	2.90	2.39	28.7	3.39	2.48	33.8	3.85	2.57	37.3	4.15	2.64	38.8	4.27	2.66	43.9	4.67	2.76	
	70	18.1	2.25	2.36	21.5	2.58	2.43	22.9	2.72	2.47	27.7	3.16	2.57	32.5	3.56	2.68	35.9	3.82	2.76	37.3	3.93	2.79	42.2	4.27	2.90	
	80	17.5	2.11	2.43	20.7	2.41	2.52	22.1	2.53	2.55	26.6	2.92	2.67	31.2	3.28	2.79	34.4	3.51	2.88	35.8	3.61	2.91	40.4	3.91	3.03	

14 SEER COOLING EXPANDED RATINGS

DT4BE-018K with B6BM-X24K-(A,B)

O.D.T			75°F			85°F			95°F			105°F			115°F		
CFM	E.D.B.	E.W.B.	T.C.	S.C.	K.W.	T.C.	S.C.	K.W.	T.C.	S.C.	K.W.	T.C.	S.C.	K.W.	T.C.	S.C.	K.W.
600	80	62	19.3	17.3	1.24	18.4	16.9	1.37	17.5	16.6	1.53	16.6	16.3	1.71	15.6	15.4	1.91
	80	67	20.9	14.4	1.24	20.0	14.0	1.37	19.0	13.6	1.53	17.8	13.2	1.71	16.6	12.7	1.91
	80	72	22.7	11.4	1.24	21.7	11.1	1.37	20.6	10.7	1.53	19.3	10.2	1.71	18.1	9.8	1.91
	75	63	19.0	14.6	1.24	18.2	14.1	1.37	17.3	13.7	1.53	16.3	13.3	1.71	15.2	12.8	1.91
700	80	62	20.0	18.7	1.24	19.1	18.4	1.37	18.1	17.7	1.53	17.3	17.3	1.71	16.3	16.3	1.91
	80	67	21.5	15.6	1.24	20.5	15.2	1.37	18.7	14.8	1.53	18.3	14.3	1.71	17.0	13.8	1.91
	80	72	23.3	12.2	1.24	22.2	11.8	1.37	21.0	11.4	1.53	19.8	11.0	1.72	18.4	10.5	1.92
	75	63	19.6	15.8	1.25	18.8	15.4	1.37	17.8	14.9	1.53	16.7	14.4	1.71	15.5	13.9	1.91
800	80	62	20.7	19.7	1.25	19.9	19.3	1.37	19.0	18.7	1.53	18.0	18.0	1.71	16.9	16.9	1.91
	80	67	21.9	16.8	1.25	20.9	16.4	1.37	19.8	15.9	1.53	18.6	15.5	1.71	17.3	14.9	1.91
	80	72	23.7	13.0	1.24	22.6	12.5	1.37	21.4	12.1	1.54	20.1	11.7	1.72	18.7	11.2	1.92
	75	63	20.1	17.0	1.25	19.2	16.5	1.37	18.2	16.1	1.53	17.1	15.5	1.71	15.9	14.9	1.91

DT4BE-024K with B6BM-X24K-(A,B)

O.D.T			75°F			85°F			95°F			105°F			115°F		
CFM	E.D.B.	E.W.B.	T.C.	S.C.	K.W.	T.C.	S.C.	K.W.	T.C.	S.C.	K.W.	T.C.	S.C.	K.W.	T.C.	S.C.	K.W.
600	80	62	22.9	18.8	1.48	21.9	18.4	1.63	20.9	18.1	1.83	19.7	17.9	2.04	18.5	17.2	2.29
	80	67	24.9	15.7	1.48	23.7	15.3	1.63	22.6	14.8	1.83	21.4	14.3	2.05	20.0	13.8	2.29
	80	72	27.3	12.7	1.48	26.1	12.2	1.64	24.8	11.8	1.84	23.3	11.3	2.06	21.7	10.8	2.30
	75	63	22.8	16.1	1.48	21.8	15.7	1.64	20.7	15.1	1.83	19.6	14.6	2.04	18.3	14.0	2.29
700	80	62	23.7	20.5	1.48	22.6	20.0	1.63	21.6	19.7	1.83	20.4	19.7	2.04	19.1	18.9	2.29
	80	67	25.7	16.9	1.48	24.5	16.5	1.63	23.2	16.0	1.83	22.0	15.4	2.05	20.6	14.9	2.29
	80	72	27.8	13.5	1.48	26.5	13.0	1.64	25.2	12.6	1.83	23.8	12.1	2.06	22.2	11.5	2.30
	75	63	23.5	17.3	1.48	22.4	16.8	1.64	21.4	16.3	1.83	20.2	15.8	2.04	18.8	15.2	2.29
800	80	62	24.3	22.3	1.49	23.3	21.8	1.63	22.2	21.5	1.83	21.0	21.0	2.05	19.8	19.8	2.29
	80	67	26.3	18.1	1.49	25.1	17.6	1.64	23.8	17.1	1.83	22.5	16.6	2.05	21.0	16.0	2.29
	80	72	28.4	14.2	1.49	27.0	13.7	1.64	25.7	13.3	1.84	24.3	12.8	2.06	22.6	12.2	2.31
	75	63	24.1	18.5	1.49	23.0	18.0	1.64	21.9	17.5	1.83	20.6	16.9	2.05	19.3	16.3	2.29

DT4BE-030K with B6BM-X30K-(A,B)

O.D.T			75°F			85°F			95°F			105°F			115°F		
CFM	E.D.B.	E.W.B.	T.C.	S.C.	K.W.	T.C.	S.C.	K.W.	T.C.	S.C.	K.W.	T.C.	S.C.	K.W.	T.C.	S.C.	K.W.
830	80	62	27.8	24.3	1.81	26.6	23.9	2.00	25.4	23.5	2.22	24.0	23.2	2.47	22.5	22.2	2.76
	80	67	30.1	20.7	1.80	28.8	20.1	2.00	27.5	19.6	2.22	26.0	19.0	2.47	24.3	18.3	2.75
	80	72	30.1	20.8	1.80	28.8	20.1	2.00	27.5	19.6	2.22	26.0	19.0	2.47	24.3	18.3	2.75
	75	63	27.6	20.7	1.81	26.4	20.1	2.01	25.1	19.5	2.23	23.7	18.9	2.47	22.1	18.2	2.76
930	80	62	28.6	25.9	1.81	27.3	25.4	2.00	26.1	24.9	2.22	24.7	24.7	2.47	23.3	23.3	2.76
	80	67	30.8	22.0	1.81	29.4	21.4	2.00	28.0	20.8	2.22	26.4	20.2	2.47	24.7	19.5	2.75
	80	72	30.8	22.1	1.81	29.4	21.4	2.00	28.0	20.8	2.22	26.4	20.2	2.47	24.7	19.5	2.75
	75	63	28.2	21.9	1.82	27.0	21.3	2.00	25.7	20.7	2.22	24.2	20.1	2.47	22.6	19.4	2.76
1030	80	62	29.1	27.7	1.83	27.9	27.0	2.00	26.7	26.3	2.22	25.4	25.4	2.47	24.0	24.0	2.75
	80	67	31.3	23.2	1.82	29.9	22.6	2.00	28.4	22.0	2.22	26.9	21.4	2.47	25.1	20.7	2.75
	80	72	31.4	23.3	1.82	29.9	22.6	2.00	28.4	22.0	2.22	26.9	21.4	2.47	25.1	20.7	2.75
	75	63	28.8	23.1	1.82	27.4	22.5	2.00	26.1	21.9	2.22	24.6	21.3	2.47	22.9	20.5	2.76

DT4BE-036K B6EMMX36K-C

O.D.T			65°F			75°F			85°F			95°F			105°F			115°F		
CFM	E.D.B.	E.W.B.	T.C.	S.C.	K.W.	T.C.	S.C.	K.W.	T.C.	S.C.	K.W.	T.C.	S.C.	K.W.	T.C.	S.C.	K.W.	T.C.	S.C.	K.W.
1050	80	62	35.2	28.5	1.89	33.9	28.3	2.12	32.5	28.4	2.37	31.0	27.9	2.65	29.42	28.89	2.97	27.79	27.29	3.33
	80	67	38.3	23.4	1.90	36.7	23.3	2.15	35.1	23.5	2.39	33.5	23.1	2.67	31.74	22.71	2.99	29.87	21.38	3.35
	80	72	42.0	18.0	1.93	40.2	18.0	2.17	38.3	18.3	2.42	36.2	18.0	2.70	34.29	17.65	3.01	32.24	18.02	3.37
	75	63	35.5	22.7	1.89	34.1	22.5	2.12	32.7	22.7	2.37	31.1	22.2	2.65	29.52	20.52	2.97	27.73	22.04	3.33
1200	80	62	36.1	30.6	1.91	34.7	31.1	2.15	33.3	30.3	2.40	31.8	29.8	2.68	30.29	29.26	3.00	28.75	28.50	3.36
	80	67	39.0	25.0	1.92	37.5	25.7	2.17	35.8	25.0	2.42	34.1	24.8	2.70	32.30	24.72	3.01	30.36	24.69	3.38
	80	72	42.3	19.1	1.95	40.6	19.9	2.19	38.8	19.3	2.44	36.9	19.1	2.72	34.88	19.13	3.04	32.77	19.18	3.40
	75	63	36.3	24.2	1.91	34.8	24.7	2.15	33.3	24.1	2.40	31.7	23.8	2.68	30.02	23.70	3.00	28.23	23.60	3.35
1350	80	62	36.9	32.8	1.94	35.5	32.8	2.17	34.1	31.8	2.43	32.7	31.0	2.71	31.17	30.11	3.03	29.55	29.42	3.38
	80	67	39.7	26.9	1.95	38.1	27.2	2.19	36.4	26.6	2.44	34.6	26.4	2.72	32.76	26.18	3.04	30.76	26.25	3.40
	80	72	43.0	20.4	1.98	41.2	20.7	2.22	39.3	20.1	2.47	37.4	20.1	2.75	35.32	19.97	3.06	33.14	20.15	3.42
	75	63	36.9	25.9	1.94	35.4	26.2	2.17	33.9	25.4	2.42	32.2	25.3	2.70	30.47	25.04	3.02	28.58	25.03	3.38

14 SEER COOLING EXPANDED RATINGS (CONTINUED)

DT4BE-042K with B6BM-X42K-B

O.D.T			75°F			85°F			95°F			105°F			115°F		
CFM	E.D.B.	E.W.B.	T.C.	S.C.	K.W.	T.C.	S.C.	K.W.	T.C.	S.C.	K.W.	T.C.	S.C.	K.W.	T.C.	S.C.	K.W.
1140	80	62	38.7	33.0	2.57	37.0	32.3	2.85	35.3	31.8	3.15	33.4	31.4	3.49	31.4	30.2	3.88
	80	67	42.0	28.7	2.59	40.1	27.9	2.86	38.3	27.0	3.17	36.2	26.1	3.51	33.9	25.1	3.90
	80	72	45.8	23.2	2.60	43.7	22.4	2.88	41.6	21.7	3.19	39.2	20.8	3.54	36.7	19.9	3.93
	75	63	38.4	28.1	2.58	36.8	27.3	2.85	35.1	26.5	3.15	33.1	25.6	3.50	31.0	24.7	3.88
1340	80	62	40.1	35.9	2.59	38.3	35.2	2.85	36.5	34.5	3.16	34.7	34.3	3.50	32.6	32.6	3.89
	80	67	43.3	30.9	2.60	41.3	30.1	2.87	39.0	29.3	3.18	37.1	28.3	3.52	34.7	27.3	3.91
	80	72	46.8	24.7	2.62	44.7	23.9	2.89	42.5	23.1	3.20	40.2	22.3	3.55	37.5	21.3	3.94
	75	63	39.7	30.4	2.59	37.9	29.6	2.86	36.1	28.8	3.16	34.0	27.9	3.50	31.8	26.9	3.89
1540	80	62	41.4	38.7	2.61	39.6	37.7	2.86	37.7	37.1	3.16	35.9	35.8	3.51	33.8	33.8	3.90
	80	67	44.3	33.2	2.62	42.3	32.3	2.87	40.2	31.4	3.18	37.9	30.5	3.53	35.4	29.4	3.91
	80	72	47.8	26.2	2.63	45.5	25.4	2.89	43.3	24.6	3.21	40.8	23.7	3.55	38.1	22.7	3.94
	75	63	40.7	32.7	2.60	38.8	31.8	2.86	36.9	30.9	3.16	34.8	29.9	3.51	32.5	28.9	3.90

DT4BE-048K B6BM-X60K-C

O.D.T			65°F			75°F			85°F			95°F			105°F			115°F		
CFM	E.D.B.	E.W.B.	T.C.	S.C.	K.W.	T.C.	S.C.	K.W.	T.C.	S.C.	K.W.	T.C.	S.C.	K.W.	T.C.	S.C.	K.W.	T.C.	S.C.	K.W.
1400	80	62	49.2	40.7	2.65	47.3	40.4	2.91	45.2	40.6	3.22	43.0	39.9	3.57	40.98	40.29	3.97	38.91	38.25	4.42
	80	67	53.5	33.1	2.66	51.2	32.9	2.93	48.9	33.2	3.24	46.4	32.6	3.59	43.87	32.17	3.99	41.24	30.74	4.43
	80	72	58.4	25.0	2.69	55.9	24.9	2.96	53.3	25.4	3.26	50.7	24.9	3.61	47.84	24.53	4.01	44.96	25.15	4.45
	75	63	49.8	32.1	2.65	47.7	31.8	2.91	45.5	32.1	3.22	43.2	31.4	3.57	40.86	29.05	3.97	38.38	31.22	4.42
1600	80	62	50.5	44.1	2.70	48.5	44.8	2.97	46.6	43.5	3.28	44.6	42.1	3.63	42.51	41.08	4.03	40.32	39.98	4.48
	80	67	54.5	35.6	2.72	52.2	36.6	2.99	49.8	35.7	3.29	47.3	35.4	3.65	44.64	35.40	4.04	41.92	35.41	4.49
	80	72	59.5	26.6	2.75	56.9	27.8	3.00	54.3	27.0	3.32	51.5	26.7	3.68	48.59	26.93	4.06	45.60	27.14	4.50
	75	63	50.8	34.4	2.70	48.7	35.3	2.97	46.4	34.4	3.28	44.0	34.0	3.63	41.57	33.92	4.03	39.02	33.84	4.47
1800	80	62	51.9	47.3	2.76	50.1	46.7	3.03	48.1	44.8	3.33	46.0	43.7	3.69	43.78	42.30	4.08	41.46	41.28	4.53
	80	67	55.4	38.6	2.77	53.0	39.0	3.04	50.5	38.2	3.35	47.9	38.0	3.70	45.22	37.81	4.09	42.44	37.99	4.54
	80	72	60.3	28.7	2.80	57.6	29.3	3.06	54.9	28.5	3.37	52.0	28.6	3.72	49.05	28.50	4.11	45.95	28.88	4.55
	75	63	51.6	37.2	2.75	49.4	37.5	3.02	47.1	36.6	3.34	44.7	36.4	3.68	42.14	36.14	4.08	39.51	36.20	4.52

DT4BE-060K B6EMMX60K-C

O.D.T			65°F			75°F			85°F			95°F			105°F			115°F		
CFM	E.D.B.	E.W.B.	T.C.	S.C.	K.W.	T.C.	S.C.	K.W.	T.C.	S.C.	K.W.	T.C.	S.C.	K.W.	T.C.	S.C.	K.W.	T.C.	S.C.	K.W.
1550	80	62	60.8	43.5	3.60	58.6	43.2	3.96	56.2	43.4	4.38	53.7	42.7	4.84	51.06	44.88	5.38	48.18	42.35	5.99
	80	67	66.2	36.4	3.67	63.7	36.1	4.04	61.2	36.6	4.46	58.5	35.8	4.93	55.55	35.27	5.46	52.48	32.86	6.08
	80	72	72.8	28.8	3.76	70.1	28.7	4.14	67.2	29.3	4.56	64.2	28.7	5.03	60.89	28.25	5.58	57.39	29.04	6.18
	75	63	61.6	35.6	3.61	59.4	35.2	3.97	57.0	35.5	4.39	54.4	34.8	4.86	51.68	32.26	5.39	48.80	34.55	6.00
1700	80	62	61.9	45.4	3.65	59.6	46.4	4.02	57.2	45.4	4.43	54.7	44.9	4.90	51.93	44.82	5.43	48.95	44.37	6.05
	80	67	67.4	37.8	3.72	64.9	39.0	4.10	62.2	37.9	4.51	59.4	37.5	4.98	56.39	37.58	5.52	53.18	37.60	6.13
	80	72	74.0	29.7	3.82	71.1	31.2	4.20	68.2	30.2	4.62	65.0	29.9	5.09	61.59	30.20	5.63	57.93	30.46	6.23
	75	63	62.8	36.9	3.66	60.4	37.9	4.03	58.0	36.8	4.44	55.3	36.4	4.91	52.53	36.34	5.45	49.51	36.24	6.06
1850	80	62	62.9	47.9	3.70	60.6	48.3	4.07	58.1	47.3	4.48	55.5	46.7	4.96	52.61	46.29	5.49	49.56	46.27	6.10
	80	67	68.4	39.8	3.78	65.9	40.3	4.15	63.2	39.3	4.57	60.3	39.2	5.04	57.09	38.89	5.57	53.87	39.16	6.18
	80	72	75.0	31.3	3.88	72.0	32.1	4.25	68.8	31.1	4.67	65.5	31.2	5.14	62.07	31.10	5.68	58.24	31.58	6.28
	75	63	63.8	38.8	3.71	61.4	39.2	4.08	58.8	38.1	4.49	56.1	37.9	4.97	53.21	37.57	5.50	50.11	37.68	6.11

14 SEER HEATING EXPANDED RATINGS

DT4BE-018K with B6BM-X24K-(A,B)

CFM	Indoor T. Deg.F	OUTDOOR TEMPERATURE (Deg. F)																							
		10			17			20			30			40			47			50			60		
		MBH	COP	kW	MBH	COP	kW	MBH	COP	kW	MBH	COP	kW	MBH	COP	kW	MBH	COP	kW	MBH	COP	kW	MBH	COP	kW
510	60	10.0	2.13	1.38	12.0	2.50	1.40	12.8	2.66	1.41	15.5	3.17	1.43	18.2	3.66	1.46	20.2	4.00	1.48	21.0	4.14	1.49	23.7	4.59	1.51
	70	9.5	2.14	1.31	11.3	2.46	1.34	12.0	2.59	1.36	14.5	3.01	1.41	17.0	3.40	1.46	18.7	3.66	1.50	19.5	3.77	1.51	21.9	4.11	1.56
	80	8.9	2.09	1.25	10.5	2.37	1.30	11.2	2.49	1.32	13.4	2.85	1.38	15.6	3.19	1.44	17.2	3.40	1.48	17.9	3.49	1.50	20.1	3.78	1.56
610	60	10.1	2.08	1.42	12.0	2.45	1.44	12.9	2.61	1.45	15.7	3.12	1.47	18.5	3.61	1.50	20.4	3.95	1.52	21.3	4.09	1.52	24.1	4.56	1.55
	70	9.6	2.08	1.36	11.4	2.40	1.39	12.2	2.53	1.41	14.7	2.96	1.46	17.2	3.36	1.51	19.0	3.62	1.54	19.8	3.73	1.55	22.3	4.08	1.60
	80	9.0	2.05	1.29	10.7	2.33	1.34	11.3	2.45	1.36	13.6	2.81	1.42	16.0	3.14	1.49	17.6	3.35	1.54	18.3	3.44	1.56	20.6	3.72	1.62
710	60	10.3	2.05	1.47	12.2	2.42	1.49	13.1	2.57	1.49	15.9	3.08	1.51	18.7	3.58	1.53	20.7	3.92	1.55	21.5	4.07	1.55	24.3	4.54	1.57
	70	9.7	2.04	1.40	11.5	2.37	1.43	12.3	2.50	1.44	14.9	2.93	1.49	17.5	3.33	1.54	19.3	3.59	1.57	20.1	3.70	1.59	22.7	4.06	1.64
	80	9.2	2.01	1.34	10.8	2.29	1.38	11.5	2.40	1.40	13.8	2.76	1.47	16.1	3.08	1.54	17.7	3.29	1.58	18.4	3.38	1.60	20.8	3.65	1.67

DT4BE-024K with B6BM-X24K-(A,B)

CFM	Indoor T. Deg.F	OUTDOOR TEMPERATURE (Deg. F)																							
		10			17			20			30			40			47			50			60		
		MBH	COP	kW	MBH	COP	kW	MBH	COP	kW	MBH	COP	kW	MBH	COP	kW	MBH	COP	kW	MBH	COP	kW	MBH	COP	kW
600	60	13.1	2.42	1.59	15.4	2.74	1.65	16.4	2.87	1.67	19.6	3.28	1.75	22.9	3.65	1.84	25.2	3.89	1.90	26.1	3.99	1.92	29.4	4.29	2.01
	70	12.5	2.38	1.55	14.7	2.65	1.62	15.6	2.75	1.66	18.6	3.08	1.77	21.6	3.37	1.88	23.7	3.56	1.95	24.6	3.63	1.99	27.6	3.86	2.10
	80	12.0	2.30	1.53	13.9	2.53	1.61	14.7	2.62	1.65	17.5	2.89	1.78	20.3	3.13	1.90	22.2	3.28	1.99	23.1	3.34	2.03	25.8	3.52	2.15
700	60	13.2	2.37	1.63	15.5	2.70	1.69	16.5	2.83	1.71	19.8	3.24	1.79	23.1	3.62	1.87	25.4	3.87	1.93	26.4	3.97	1.95	29.8	4.29	2.03
	70	12.7	2.33	1.59	14.8	2.60	1.67	15.7	2.71	1.70	18.8	3.05	1.81	21.9	3.35	1.91	24.0	3.54	1.99	24.9	3.62	2.02	28.0	3.86	2.13
	80	12.1	2.26	1.57	14.1	2.49	1.65	14.9	2.58	1.69	17.7	2.86	1.82	20.6	3.11	1.94	22.6	3.26	2.03	23.4	3.32	2.07	26.3	3.51	2.19
800	60	13.3	2.33	1.67	15.6	2.66	1.73	16.7	2.79	1.75	20.0	3.21	1.83	23.3	3.60	1.90	25.7	3.85	1.96	26.7	3.96	1.98	30.0	4.29	2.05
	70	12.8	2.29	1.63	14.9	2.57	1.70	15.9	2.68	1.74	19.0	3.03	1.84	22.1	3.33	1.95	24.3	3.53	2.02	25.2	3.61	2.05	28.4	3.86	2.15
	80	12.2	2.23	1.61	14.2	2.46	1.69	15.1	2.55	1.73	17.9	2.83	1.86	20.8	3.07	1.98	22.8	3.23	2.07	23.6	3.29	2.11	26.5	3.48	2.23

DT4BE-030K with B6BM-X30K-(A,B)

CFM	Indoor T. Deg.F	OUTDOOR TEMPERATURE (Deg. F)																							
		10			17			20			30			40			47			50			60		
		MBH	COP	kW	MBH	COP	kW	MBH	COP	kW	MBH	COP	kW	MBH	COP	kW	MBH	COP	kW	MBH	COP	kW	MBH	COP	kW
785	60	15.8	2.62	1.76	18.5	2.91	1.87	19.7	3.03	1.91	23.7	3.38	2.05	27.6	3.68	2.20	30.3	3.87	2.30	31.5	3.95	2.34	35.5	4.18	2.49
	70	15.1	2.53	1.75	17.7	2.78	1.87	18.9	2.87	1.93	22.6	3.15	2.10	26.3	3.39	2.27	28.9	3.54	2.39	30.0	3.60	2.44	33.7	3.78	2.62
	80	14.6	2.43	1.76	17.0	2.63	1.90	18.1	2.71	1.95	21.5	2.94	2.15	25.0	3.14	2.34	27.5	3.25	2.47	28.5	3.30	2.53	32.0	3.44	2.72
885	60	15.8	2.57	1.80	18.6	2.87	1.90	19.8	2.99	1.94	23.8	3.35	2.09	27.8	3.67	2.23	30.7	3.87	2.32	31.9	3.95	2.37	35.9	4.19	2.51
	70	15.3	2.49	1.80	17.9	2.74	1.92	19.0	2.84	1.97	22.8	3.13	2.13	26.6	3.38	2.30	29.2	3.54	2.42	30.3	3.60	2.47	34.1	3.79	2.64
	80	14.7	2.39	1.80	17.2	2.60	1.93	18.2	2.68	1.99	21.8	2.93	2.18	25.3	3.13	2.37	27.8	3.25	2.51	28.9	3.30	2.56	32.4	3.45	2.75
985	60	15.9	2.53	1.85	18.8	2.83	1.94	20.0	2.96	1.98	24.0	3.33	2.12	28.1	3.65	2.25	30.9	3.86	2.35	32.1	3.94	2.39	36.2	4.20	2.53
	70	15.4	2.46	1.83	18.1	2.72	1.95	19.2	2.82	2.00	23.0	3.12	2.16	26.8	3.38	2.33	29.5	3.54	2.44	30.6	3.60	2.49	34.5	3.80	2.66
	80	14.8	2.36	1.84	17.3	2.58	1.97	18.4	2.66	2.03	21.9	2.90	2.21	25.5	3.11	2.40	28.0	3.24	2.54	29.1	3.29	2.59	32.6	3.44	2.78

DT4BE-036K with B6EMMX36K-C

CFM	Indoor T. Deg.F	OUTDOOR TEMPERATURE (Deg. F)																							
		10			17			20			30			40			47			50			60		
		MBH	COP	kW	MBH	COP	kW	MBH	COP	kW	MBH	COP	kW	MBH	COP	kW	MBH	COP	kW	MBH	COP	kW	MBH	COP	kW
1120	60	17.9	2.64	1.99	21.2	2.96	2.10	22.6	3.09	2.15	27.3	3.49	2.30	32.0	3.83	2.45	35.3	4.05	2.56	36.7	4.14	2.60	41.4	4.41	2.76
	70	17.3	2.51	2.02	20.4	2.79	2.14	21.7	2.90	2.20	26.2	3.24	2.37	30.7	3.53	2.55	33.9	3.71	2.67	35.2	3.79	2.73	39.7	4.01	2.91
	80	16.7	2.37	2.06	19.7	2.62	2.20	21.0	2.72	2.26	25.2	3.01	2.45	29.5	3.26	2.65	32.5	3.41	2.79	33.7	3.48	2.85	38.0	3.66	3.04
1270	60	18.1	2.59	2.05	21.4	2.92	2.15	22.9	3.05	2.19	27.7	3.46	2.34	32.4	3.83	2.49	35.8	4.05	2.59	37.2	4.15	2.63	42.0	4.44	2.78
	70	17.5	2.46	2.08	20.6	2.75	2.20	22.0	2.87	2.25	26.6	3.22	2.42	31.1	3.53	2.59	34.3	3.72	2.71	35.7	3.80	2.76	40.3	4.03	2.93
	80	16.8	2.33	2.12	19.9	2.59	2.25	21.2	2.69	2.31	25.6	3.00	2.50	29.9	3.26	2.69	33.0	3.42	2.82	34.3	3.49	2.88	38.6	3.69	3.07
1420	60	18.2	2.54	2.10	21.6	2.88	2.20	23.1	3.02	2.24	27.9	3.44	2.38	32.8	3.81	2.52	36.2	4.05	2.62	37.7	4.15	2.66	42.5	4.45	2.81
	70	17.7	2.43	2.13	20.9	2.73	2.25	22.3	2.85	2.29	26.9	3.21	2.46	31.5	3.52	2.62	34.8	3.72	2.74	36.2	3.80	2.79	40.8	4.05	2.95
	80	17.1	2.30	2.17	20.1	2.56	2.30	21.4	2.67	2.36	25.8	2.98	2.54	30.2	3.25	2.73	33.3	3.42	2.86	34.6	3.48	2.91	39.0	3.69	3.10

14 SEER HEATING EXPANDED RATINGS (CONTINUED)

DT4BE-042K with B6BM-X42K-B

		OUTDOOR TEMPERATURE (Deg. F)																							
CFM	Indoor T. Deg.F	10			17			20			30			40			47			50			60		
		MBH	COP	kW	MBH	COP	kW	MBH	COP	kW	MBH	COP	kW	MBH	COP	kW	MBH	COP	kW	MBH	COP	kW	MBH	COP	kW
1175	60	22.9	2.72	2.47	26.4	3.04	2.55	27.9	3.17	2.59	33.0	3.58	2.70	38.0	3.96	2.81	41.5	4.21	2.89	43.0	4.31	2.92	48.0	4.64	3.04
	70	22.1	2.53	2.57	25.5	2.82	2.66	27.0	2.93	2.70	31.8	3.31	2.82	36.6	3.64	2.95	40.0	3.86	3.04	41.5	3.96	3.08	46.3	4.24	3.20
	80	21.6	2.36	2.69	24.8	2.62	2.78	26.2	2.72	2.82	30.8	3.06	2.96	35.4	3.36	3.09	38.6	3.55	3.19	40.0	3.63	3.23	44.6	3.89	3.37
1325	60	23.1	2.69	2.52	26.7	3.01	2.59	28.2	3.15	2.63	33.3	3.57	2.73	38.4	3.97	2.84	42.0	4.22	2.91	43.5	4.33	2.95	48.6	4.67	3.05
	70	22.4	2.51	2.62	25.8	2.80	2.70	27.3	2.92	2.74	32.2	3.30	2.86	37.1	3.65	2.98	40.5	3.88	3.06	42.0	3.97	3.10	46.9	4.27	3.22
	80	21.8	2.33	2.73	25.1	2.60	2.83	26.5	2.71	2.86	31.2	3.05	2.99	35.9	3.37	3.12	39.1	3.57	3.21	40.6	3.66	3.25	45.2	3.92	3.38
1475	60	23.1	2.64	2.56	26.8	2.98	2.64	28.3	3.12	2.67	33.5	3.55	2.77	38.7	3.96	2.87	42.4	4.22	2.94	44.0	4.33	2.98	49.2	4.68	3.08
	70	22.6	2.49	2.66	26.1	2.79	2.74	27.6	2.91	2.78	32.5	3.30	2.89	37.5	3.65	3.01	41.0	3.89	3.09	42.4	3.99	3.12	47.4	4.29	3.24
	80	22.0	2.32	2.78	25.3	2.59	2.87	26.7	2.70	2.90	31.5	3.05	3.03	36.2	3.37	3.15	39.5	3.58	3.24	40.9	3.66	3.28	45.7	3.94	3.40

DT4BE-048K / B6BM-X60K-C

		OUTDOOR TEMPERATURE (Deg. F)																							
CFM	Indoor T. Deg.F	10			17			20			30			40			47			50			60		
		MBH	COP	kW	MBH	COP	kW	MBH	COP	kW	MBH	COP	kW	MBH	COP	kW	MBH	COP	kW	MBH	COP	kW	MBH	COP	kW
1375	60	23.5	2.54	2.71	28.0	2.91	2.82	30.0	3.06	2.87	36.5	3.53	3.03	43.0	3.95	3.19	47.5	4.22	3.30	49.5	4.33	3.35	56.0	4.68	3.51
	70	22.7	2.33	2.85	27.1	2.68	2.97	29.0	2.81	3.02	35.3	3.24	3.19	41.7	3.63	3.37	46.1	3.87	3.49	48.0	3.97	3.54	54.3	4.29	3.72
	80	22.1	2.16	3.00	26.4	2.47	3.13	28.2	2.60	3.19	34.4	2.99	3.37	40.5	3.33	3.56	44.7	3.55	3.69	46.6	3.64	3.75	52.7	3.93	3.93
1575	60	23.7	2.51	2.77	28.3	2.89	2.87	30.3	3.05	2.92	37.0	3.53	3.07	43.6	3.97	3.22	48.2	4.26	3.32	50.2	4.37	3.37	56.8	4.74	3.52
	70	23.0	2.32	2.90	27.5	2.67	3.02	29.4	2.81	3.07	35.8	3.25	3.23	42.2	3.65	3.39	46.7	3.91	3.51	48.7	4.01	3.55	55.1	4.34	3.72
	80	22.4	2.14	3.06	26.7	2.46	3.18	28.6	2.59	3.24	34.8	2.99	3.41	41.0	3.36	3.58	45.4	3.59	3.71	47.3	3.69	3.76	53.5	3.99	3.93
1775	60	23.8	2.48	2.82	28.5	2.87	2.92	30.6	3.02	2.96	37.3	3.52	3.11	44.1	3.97	3.25	48.8	4.27	3.35	50.8	4.39	3.40	57.6	4.77	3.54
	70	23.3	2.31	2.96	27.8	2.66	3.07	29.8	2.80	3.11	36.3	3.26	3.27	42.8	3.66	3.42	47.3	3.93	3.53	49.3	4.04	3.58	55.8	4.38	3.73
	80	22.6	2.13	3.12	27.0	2.45	3.23	28.9	2.58	3.28	35.2	3.00	3.45	41.5	3.37	3.61	45.9	3.61	3.73	47.8	3.71	3.78	54.1	4.03	3.94

DT4BE-060K / B6EMMX60K-C

		OUTDOOR TEMPERATURE (Deg. F)																							
CFM	Indoor T. Deg.F	10			17			20			30			40			47			50			60		
		MBH	COP	kW	MBH	COP	kW	MBH	COP	kW	MBH	COP	kW	MBH	COP	kW	MBH	COP	kW	MBH	COP	kW	MBH	COP	kW
1510	60	31.5	2.66	3.48	37.4	2.99	3.68	40.0	3.12	3.76	48.4	3.51	4.04	56.8	3.86	4.32	62.7	4.07	4.52	65.3	4.16	4.60	73.7	4.43	4.88
	70	30.6	2.40	3.74	36.4	2.71	3.94	38.9	2.83	4.03	47.2	3.20	4.32	55.5	3.53	4.61	61.3	3.73	4.82	63.8	3.81	4.90	72.1	4.07	5.20
	80	30.1	2.20	4.01	35.7	2.48	4.23	38.2	2.59	4.32	46.3	2.93	4.63	54.3	3.22	4.95	60.0	3.41	5.16	62.4	3.48	5.26	70.5	3.71	5.57
1710	60	31.8	2.65	3.52	37.8	2.99	3.70	40.4	3.13	3.78	48.9	3.54	4.05	57.5	3.91	4.31	63.4	4.13	4.50	66.0	4.23	4.58	74.6	4.51	4.85
	70	30.9	2.41	3.77	36.8	2.72	3.96	39.3	2.85	4.04	47.7	3.24	4.32	56.1	3.58	4.60	61.9	3.79	4.79	64.5	3.88	4.87	72.8	4.15	5.15
	80	30.3	2.19	4.05	36.0	2.48	4.25	38.5	2.60	4.34	46.7	2.96	4.63	54.9	3.27	4.92	60.7	3.47	5.12	63.1	3.55	5.21	71.3	3.80	5.50
1910	60	31.8	2.63	3.55	37.9	2.98	3.73	40.5	3.12	3.81	49.2	3.55	4.07	58.0	3.92	4.33	64.1	4.16	4.51	66.7	4.26	4.59	75.4	4.56	4.85
	70	31.3	2.41	3.81	37.2	2.73	4.00	39.7	2.86	4.08	48.2	3.26	4.34	56.6	3.61	4.60	62.5	3.83	4.78	65.1	3.92	4.86	73.5	4.20	5.13
	80	30.6	2.19	4.09	36.4	2.49	4.28	38.9	2.61	4.36	47.2	2.98	4.64	55.4	3.31	4.91	61.2	3.52	5.10	63.7	3.60	5.18	72.0	3.87	5.45



GENERAL TERMS OF LIMITED WARRANTY

For complete details of the Limited Warranty, including applicable terms and conditions, see your local installer or contact the NORDYNE warranty department for a copy.

NORDYNE

COMPLETE COMFORT. GENUINE VALUE. 8000 Phoenix Parkway | O'Fallon, MO 63368-3827

Specifications and illustrations subject to change without notice and without incurring obligations. Printed in U.S.A (06/2012)

476D-0612 (Replaces 476D-0312)