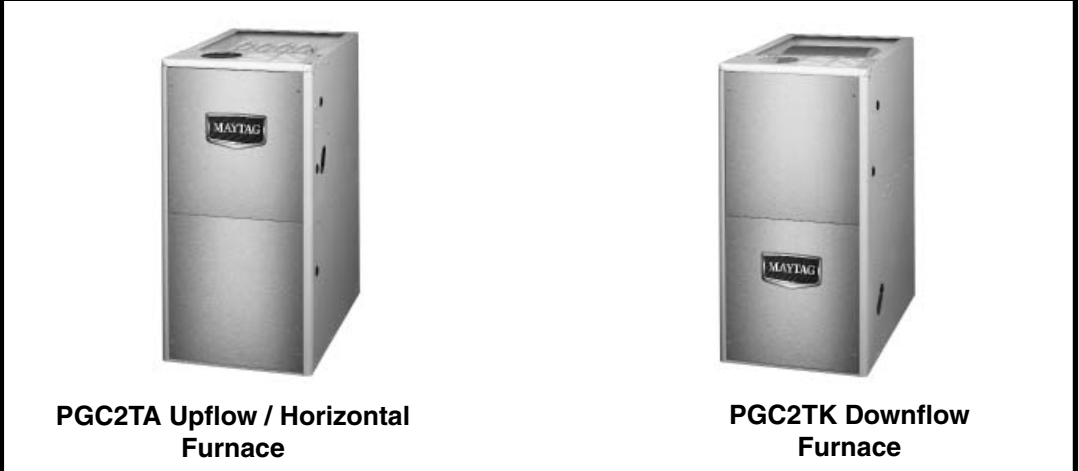


REPLACEMENT PARTS LIST

PGC2Series

Two-Stage Condensing and Non-Condensing Furnaces with Fixed Speed and Variable Speed Blowers

NON-CONDENSING GAS FURNACES - 80+ AFUE



PGC2TA Upflow / Horizontal Furnace

PGC2TK Downflow Furnace

CONDENSING GAS FURNACES - 95.1% AFUE



PGC2TC Upflow / Horizontal Furnace

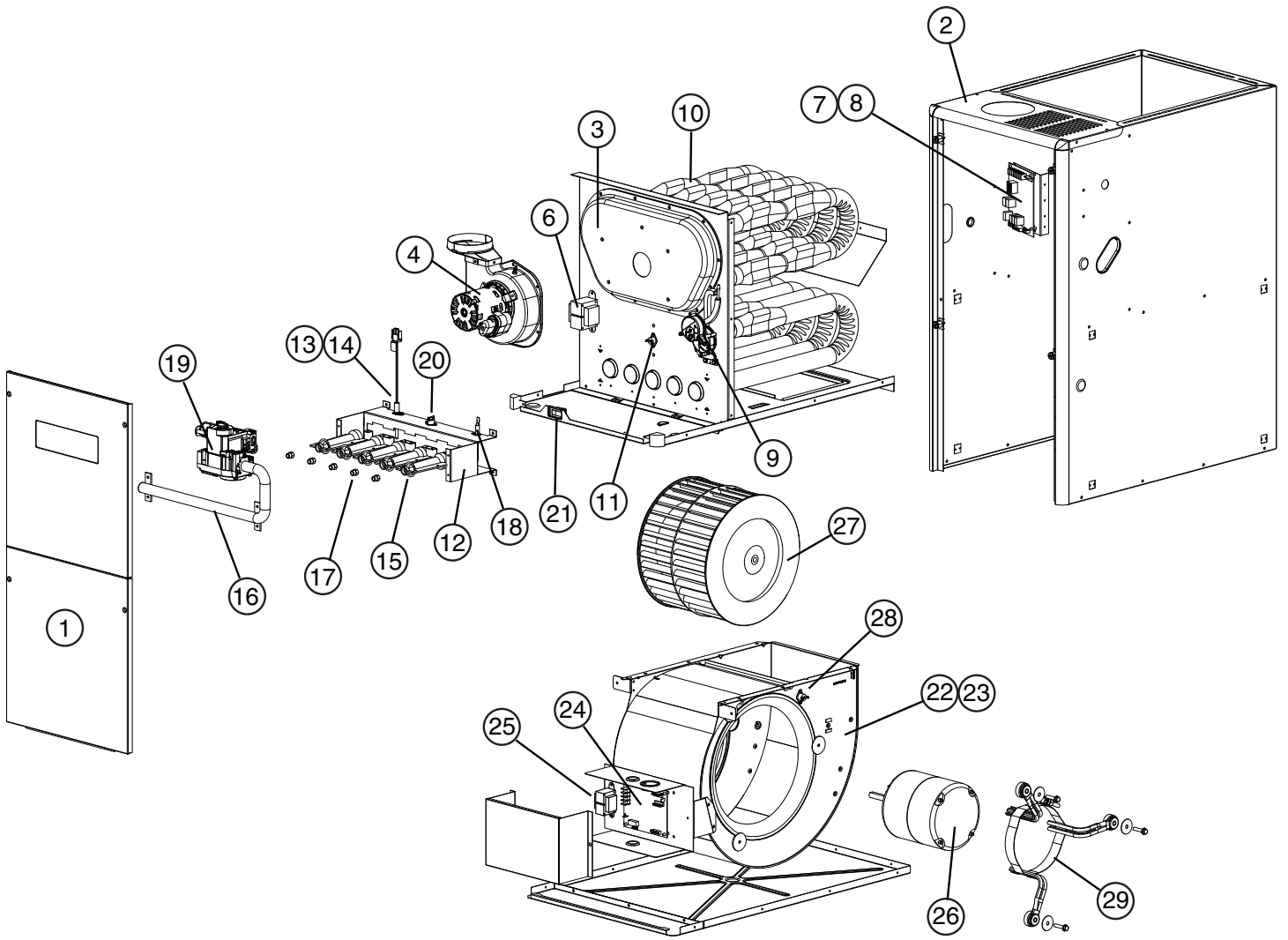
PGC2TL Downflow Furnace

PGC2TA / PGC2TK 80+ AFUE	Upflow/Horizontal Component Location	Page 2
	Downflow Component Location	Page 3
	Upflow/Horizontal Replacement Parts List - Fixed Speed	Page 4
	Upflow/Horizontal Replacement Parts List - Variable Speed	Page 5
	Downflow Replacement Parts List - Fixed Speed	Page 6
	Downflow Replacement Parts List -Variable Speed	Page 7

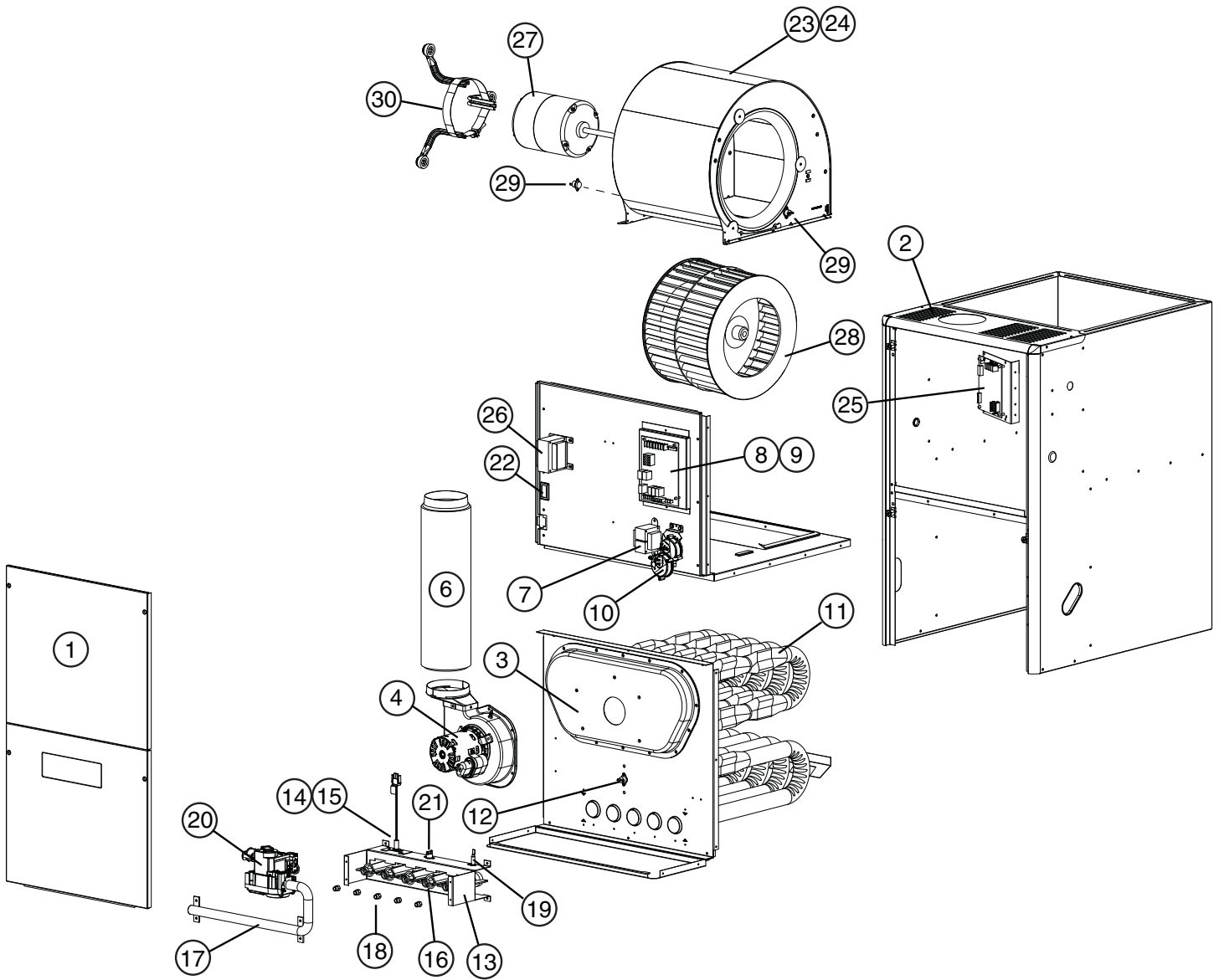
PGC2TA-1 / PGC2TK-1 80+ AFUE	Upflow/Horizontal Replacement Parts List - Fixed Speed	Page 8
	Upflow/Horizontal Replacement Parts List - Variable Speed	Page 9
	Downflow Replacement Parts List - Fixed Speed	Page 10
	Downflow Replacement Parts List -Variable Speed	Page 11

PGC2TC / PGC2TL 95.1% AFUE	Upflow/Horizontal Component Location	Page 12
	Downflow Component Location	Page 13
	Upflow/Horizontal Replacement Parts List - Fixed Speed	Page 14
	Upflow/Horizontal Replacement Parts List - Variable Speed	Page 15
	Downflow Replacement Parts List - Fixed Speed	Page 16
	Downflow Replacement Parts List - Variable Speed	Page 17

PGC2TA & PGC2TA-1 Upflow / Horizontal Component Location



PGC2TK & PGC2TK-1 Downflow Component Location



**PGC2TA Upflow / Horizontal Replacement Parts List
80+ AFUE - Fixed Speed**

ITEM	DESCRIPTION	060-23A	080-24B	100-24B	100-35C	120-35C	140-45D
1	Door Set (Not Shown)	904775	904776	904776	904777	904777	904778
2	Top Panel	295911R	295912R	295912R	295913R	295913R	295914R
3	Collector Pan with Gasket	904812	904813	904814	904815	904981	904982
4	Inducer Motor	904797	904797	904797	904797	904797	904797
5	Inducer Gasket (Not Shown)	689988	689988	689988	689988	689988	689988
6	Transformer	622341	622341	622341	622341	622341	622341
7	Control Board	920916	920916	920916	920916	920916	920916
8	Fuse	632261	632261	632261	632261	632261	632261
9	Pressure Switches	632514	632514	632514	632515	632515	632515
10	Heat Exchanger (Not Shown)	904779	904780	904781	904783	904868	904785
11	Main Air Limit	626567	626566	626566	626562	626566	626566
12	Burner Assembly	904834	904835	904836	904836	904837	904833
13	Igniter Assembly - Nitride	921074	921074	921074	921074	921074	921074
14	Igniter Bracket (Not Shown)	299261	299261	299261	299261	299261	299261
15	Inshot Burner	660921	660921	660921	660921	660921	660921
16	Manifold, Burner Tube	664228	664229	664230	664230	664231	664232
17	Orifice, Main Burner, Natural Gas	661045	661045	661045	661045	661045	661045
18	Flame Sensor	632484	632484	632484	632484	632484	632484
19	Gas Valve	624652	624652	624652	624652	624652	624652
20	Roll-Out Limit	626559	626560	626560	626560	626560	626559
21	Door Switch	632125	632125	632125	632125	632125	632125
22	Blower Assembly	904872	904873	904955	904874	904874	904875
23	Blower Housing Assembly	297200R	297207R	297207R	297209R	297209R	297209R
24	Blower Control Board	920920	920920	920920	920920	920920	920920
25	Choke, Blower Motor	Not Used	Not Used	Not Used	622340	622340	622340
26	Motor, Blower	921216	921216	921217	921217	921217	921218
27	Wheel, Blower	667375	667374	667374	667280	667280	667280
28	Blower Limit	626581	626581	626581	626581	626581	626581
29	Repl. Motor Mount Kit	904867	904907	904907	904907	904907	904951
30	Hose, High Temp (Not Shown)	263967	263967	263967	263967	263967	263967
31	Set of Wires (Not Shown)	M0036011	M0036011	M0036011	M0036013	M0036013	M0036013

FOR COMPONENT LOCATIONS, SEE PAGE 2

**PGC2TA Upflow / Horizontal Replacement Parts List
80+ AFUE - Variable Speed**

ITEM	DESCRIPTION	060-VA	080-VB	100-VC	120-VC	140-VD
1	Door Set (Not Shown)	904775	904776	904777	904777	904778
2	Top Panel	295911R	295912R	295913R	295913R	295914R
3	Collector Pan with Gasket	904812	904813	904815	904981	904982
4	Inducer Motor	904797	904797	904797	904797	904797
5	Inducer Gasket (Not Shown)	689988	689988	689988	689988	689988
6	Transformer	622341	622341	622341	622341	622341
7	Control Board	920916	920916	920916	920916	920916
8	Fuse	632261	632261	632261	632261	632261
9	Pressure Switches	632514	632514	632515	632515	632515
10	Heat Exchanger (Not Shown)	904779	904780	904783	904868	904785
11	Main Air Limit	626567	626566	626562	626566	626566
12	Burner Assembly	904834	904835	904836	904837	904833
13	Igniter Assembly - Nitride	921074	921074	921074	921074	921074
14	Igniter Bracket (Not Shown)	299261	299261	299261	299261	299261
15	Inshot Burner	660921	660921	660921	660921	660921
16	Manifold, Burner Tube	664228	664229	664230	664231	664232
17	Orifice, Main Burner, Natural Gas	661045	661045	661045	661045	661045
18	Flame Sensor	632484	632484	632484	632484	632484
19	Gas Valve	624652	624652	624652	624652	624652
20	Roll-Out Limit	626559	626560	626560	626560	624751
21	Door Switch	632125	632125	632125	632125	632125
22	Blower Assembly	904876	904877	904878	904878	904879
23	Blower Housing Assembly	297200R	297207R	297209R	297209R	297209R
24	Blower Control Board	920918	920918	920918	920918	920918
25	Choke, Blower Motor	Not Used	Not Used	622340	622340	622340
26	Motor, Blower	921216	921216	921217	921217	921218
27	Wheel, Blower	667375	667374	667280	667280	667280
28	Blower Limit	626581	626581	626581	626581	626581
29	Repl. Motor Mount Kit	904867	904907	904907	904907	904951
30	Hose, High Temp (Not Shown)	263967	263967	263967	263967	263967
31	Set of Wires (Not Shown)	M0036011	M0036011	M0036013	M0036013	M0036013

FOR COMPONENT LOCATIONS, SEE PAGE 2

PGC2TK Downflow Replacement Parts List 80+ AFUE - Fixed Speed

ITEM	DESCRIPTION	060-23A	080-24B	100-24B	100-35C	120-35C	140-45D
1	Door Set (Not Shown)	904775	904776	904776	904777	904777	904778
2	Top Panel	295911R	295912R	295912R	295913R	295913R	295914R
3	Collector Pan with Gasket	904903	904813	904905	904983	904981	904984
4	Inducer Motor	904797	904797	904797	904797	904797	904797
5	Inducer Gasket (Not Shown)	689988	689988	689988	689988	689988	689988
6	Combustion Tube	299291	299291	299291	299291	299291	299291
7	Transformer	622341	622341	622341	622341	622341	622341
8	Control Board	920916	920916	920916	920916	920916	920916
9	Fuse	632261	632261	632261	632261	632261	632261
10	Pressure Switches	632514	632515	632515	632515	632515	632523
11	Heat Exchanger (Not Shown)	904779	904780	904781	904783	904868	904785
12	Main Air Limit	626565	626562	626567	626565	626564	626567
13	Burner Assembly	904834	904835	904836	904836	904837	904833
14	Igniter Assembly - Nitride	921074	921074	921074	921074	921074	921074
15	Igniter Bracket (Not Shown)	299261	299261	299261	299261	299261	299261
16	Inshot Burner	660921	660921	660921	660921	660921	660921
17	Manifold, Burner Tube	664228	664229	664230	664230	664231	664232
18	Orifice, Main Burner, Natural Gas	661045	661045	661045	661045	661045	661045
19	Flame Sensor	632484	632484	632484	632484	632484	632484
20	Gas Valve	624652	624652	624652	624652	624652	624652
21	Roll-Out Limit	626559	626560	626559	626559	626560	626560
22	Door Switch (Not Shown)	632125	632125	632125	632125	632125	632125
23	Blower Assembly	904872	904873	904873	904874	904874	904875
24	Blower Housing Assembly	297200R	297207R	297207R	297204R	297204R	297209R
25	Blower Control Board	920920	920920	920920	920920	920920	920920
26	Choke, Blower Motor	Not Used	Not Used	Not Used	622340	622340	622340
27	Motor, Blower	921216	921216	921217	921217	921217	921218
28	Wheel, Blower	667375	667374	667374	667280	667280	667280
29	Blower Limit	626581	626581	626581	626581	626581	626581
30	Repl. Motor Mount Kit	904867	904907	904907	904907	904907	904951
31	Hose, High Temp (Not Shown)	263967	263967	263967	263967	263967	263967
32	Set of Wires (Not Shown)	M0036036	M0036012	M0036012	M0036014	M0036014	M0036014

FOR COMPONENT LOCATIONS, SEE PAGE 3

PGC2TK Downflow Replacement Parts List 80+ AFUE - Variable Speed

ITEM	DESCRIPTION	060-23A	080-24B	100-35C	120-35C
1	Door Set (Not Shown)	904775	904776	904777	904777
2	Top Panel	295911R	295912R	295913R	295913R
3	Collector Pan with Gasket	904903	904813	904983	904981
4	Inducer Motor	904797	904797	904797	904797
5	Inducer Gasket (Not Shown)	689988	689988	689988	689988
6	Combustion Tube	299291	299291	299291	299291
7	Transformer	622341	622341	622341	622341
8	Control Board	920916	920916	920916	920916
9	Fuse	632261	632261	632261	632261
10	Pressure Switches	632514	632515	632515	632515
11	Heat Exchanger (Not Shown)	904779	904780	904783	904868
12	Main Air Limit	626565	626562	626565	626564
13	Burner Assembly	904834	904835	904836	904837
14	Igniter Assembly - Nitride	921074	921074	921074	921074
15	Igniter Bracket (Not Shown)	299261	299261	299261	299261
16	Inshot Burner	660921	660921	660921	660921
17	Manifold, Burner Tube	664228	664229	664230	664231
18	Orifice, Main Burner, Natural Gas	661045	661045	661045	661045
19	Flame Sensor	632484	632484	632484	632484
20	Gas Valve	624652	624652	624652	624652
21	Roll-Out Limit	626559	626560	626559	626560
22	Door Switch (Not Shown)	632125	632125	632125	632125
23	Blower Assembly	904876	904877	904878	904878
24	Blower Housing Assembly	297200R	297207R	297204R	297204R
25	Blower Control Board	920918	920918	920918	920918
26	Choke, Blower Motor	Not Used	Not Used	622340	622340
27	Motor, Blower	921216	921216	921217	921217
28	Wheel, Blower	667375	667374	667280	667280
29	Blower Limit	626581	626581	626581	626581
30	Repl. Motor Mount Kit	904867	904907	904907	904907
31	Hose, High Temp (Not Shown)	263967	263967	263967	263967
32	Set of Wires (Not Shown)	M0036037	M0036019	M0036020	M0036020

FOR COMPONENT LOCATIONS, SEE PAGE 3

**PGC2TA-1 Upflow / Horizontal Replacement Parts List
80+ AFUE - Fixed Speed**

ITEM	DESCRIPTION	060-23A1	080-24B1	100-24B1	100-35C1	120-35C1	140-45D1
1	Door Set	904775	904776	904776	904777	904777	904778
2	Top Panel	295911R	295912R	295912R	295913R	295913R	295914R
3	Collector Pan with Gasket	904903	904905	904905	904815	904816	904817
4	Inducer Motor	904978	904978	904978	904978	904978	904979
5	Inducer Gasket (Not Shown)	689988	689988	689988	689988	689988	689988
6	Transformer	622341	622341	622341	622341	622341	622341
7	Control Board	920916	920916	920916	920916	920916	920916
8	Fuse	632261	632261	632261	632261	632261	632261
9	Pressure Switches	632515	632595	632566	632566	632566	632516
10	Heat Exchanger	904779	904780	904781	904783	904868	904785
11	Main Air Limit	626567	626566	626566	626562	626566	626566
12	Burner Assembly	904834	904835	904836	904836	904837	904833
13	Igniter Assembly - Nitride	921074	921074	921074	921074	921074	921074
14	Igniter Bracket	299261	299261	299261	299261	299261	299261
15	Inshot Burner	660921	660921	660921	660921	660921	660921
16	Manifold, Burner Tube	664228	664229	664230	664230	664231	664232
17	Orifice, Main Burner, Natural Gas	661045	661045	661045	661045	661045	661045
18	Flame Sensor	632484	632484	632484	632484	632484	632484
19	Gas Valve	624652	624652	624652	624652	624652	624652
20	Roll-Out Limit	626559	626560	626560	626560	626560	626559
21	Door Switch	632125	632125	632125	632125	632125	632125
22	Blower Assembly	904872	904873	904955	904874	904874	904875
23	Blower Housing Assembly	297200R	297207R	297207R	297209R	297209R	297209R
24	Blower Control Board	920920	920920	920920	920920	920920	920920
25	Choke, Blower Motor	Not Used	Not Used	Not Used	622340	622340	622340
26	Motor, Blower	921216	921216	921217	921217	921217	921218
27	Wheel, Blower	667375	667374	667374	667280	667280	667280
28	Blower Limit	626581	626581	626581	626581	626581	626581
29	Repl. Motor Mount Kit	904867	904907	904907	904907	904907	904951
30	Hose, High Temp (Not Shown)	263967	263967	263967	263967	263967	263967
31	Set of Wires (Not Shown)	M0036011	M0036011	M0036011	M0036013	M0036013	M0036013

FOR COMPONENT LOCATIONS, SEE PAGE 2

**PGC2TA-1 Upflow / Horizontal Replacement Parts List
80+ AFUE - Variable Speed**

ITEM	DESCRIPTION	060-VA1	080-VB1	100-VC1	120-VC1	140-VD1
1	Door Set	904775	904776	904777	904777	904778
2	Top Panel	295911R	295912R	295913R	295913R	295914R
3	Collector Pan with Gasket	904903	904905	904905	904816	904817
4	Inducer Motor	904978	904978	904978	904978	904979
5	Inducer Gasket (Not Shown)	689988	689988	689988	689988	689988
6	Transformer	622341	622341	622341	622341	622341
7	Control Board	920916	920916	920916	920916	920916
8	Fuse	632261	632261	632261	632261	632261
9	Pressure Switches	632515	632595	632566	632566	632516
10	Heat Exchanger	904779	904780	904783	904868	904785
11	Main Air Limit	626567	626566	626562	626566	626566
12	Burner Assembly	904834	904835	904836	904837	904833
13	Igniter Assembly - Nitride	921074	921074	921074	921074	921074
14	Igniter Bracket	299261	299261	299261	299261	299261
15	Inshot Burner	660921	660921	660921	660921	660921
16	Manifold, Burner Tube	664228	664229	664230	664231	664232
17	Orifice, Main Burner, Natural Gas	661045	661045	661045	661045	661045
18	Flame Sensor	632484	632484	632484	632484	632484
19	Gas Valve	624652	624652	624652	624652	624652
20	Roll-Out Limit	626559	626560	626560	626560	624751
21	Door Switch	632125	632125	632125	632125	632125
22	Blower Assembly	904876	904877	904878	904878	904879
23	Blower Housing Assembly	297200R	297207R	297209R	297209R	297209R
24	Blower Control Board	920918	920918	920918	920918	920918
25	Choke, Blower Motor	Not Used	Not Used	622340	622340	622340
26	Motor, Blower	921216	921216	921217	921217	921218
27	Wheel, Blower	667375	667374	667280	667280	667280
28	Blower Limit	626581	626581	626581	626581	626581
29	Repl. Motor Mount Kit	904867	904907	904907	904907	904951
30	Hose, High Temp (Not Shown)	263967	263967	263967	263967	263967
31	Set of Wires (Not Shown)	M0036011	M0036011	M0036013	M0036013	M0036013

FOR COMPONENT LOCATIONS, SEE PAGE 2

PGC2TK-1 Downflow Replacement Parts List 80+ AFUE - Fixed Speed

ITEM	DESCRIPTION	060-23A1	080-24B1	100-35C1	120-35C1	140-45D1
1	Door Set	904775	904776	904777	904777	904778
2	Top Panel	295911R	295912R	295913R	295913R	295914R
3	Collector Pan with Gasket	904903	904977	904904	904816	904906
4	Inducer Motor	904978	904978	904978	904978	904979
5	Inducer Gasket (Not Shown)	689988	689988	689988	689988	689988
6	Combustion Tube	299291	299291	299291	299291	299291
7	Transformer	622341	622341	622341	622341	622341
8	Control Board	920916	920916	920916	920916	920916
9	Fuse	632261	632261	632261	632261	632261
10	Pressure Switches	632566	632514	632566	632595	632516
11	Heat Exchanger	904779	904780	904783	904868	904785
12	Main Air Limit	626565	626562	626565	626564	626565
13	Burner Assembly	904834	904835	904836	904837	904833
14	Igniter Assembly - Nitride	921074	921074	921074	921074	921074
15	Igniter Bracket	299261	299261	299261	299261	299261
16	Inshot Burner	660921	660921	660921	660921	660921
17	Manifold, Burner Tube	664228	664229	664230	664231	664232
18	Orifice, Main Burner, Natural Gas	661045	661045	661045	661045	661045
19	Flame Sensor	632484	632484	632484	632484	632484
20	Gas Valve	624652	624652	624652	624652	624652
21	Roll-Out Limit	626559	626560	626559	626560	626560
22	Door Switch	632125	632125	632125	632125	632125
23	Blower Assembly	904872	904873	904874	904874	904875
24	Blower Housing Assembly	297200R	297207R	297204R	297204R	297209R
25	Blower Control Board	920920	920920	920920	920920	920920
26	Choke, Blower Motor	Not Used	Not Used	622340	622340	622340
27	Motor, Blower	921216	921216	921217	921217	921218
28	Wheel, Blower	667375	667374	667280	667280	667280
29	Blower Limit	626581	626581	626581	626581	626581
30	Repl. Motor Mount Kit	904867	904907	904907	904907	904951
31	Hose, High Temp (Not Shown)	263967	263967	263967	263967	263967
32	Set of Wires (Not Shown)	M0036036	M0036012	M0036014	M0036014	M0036014

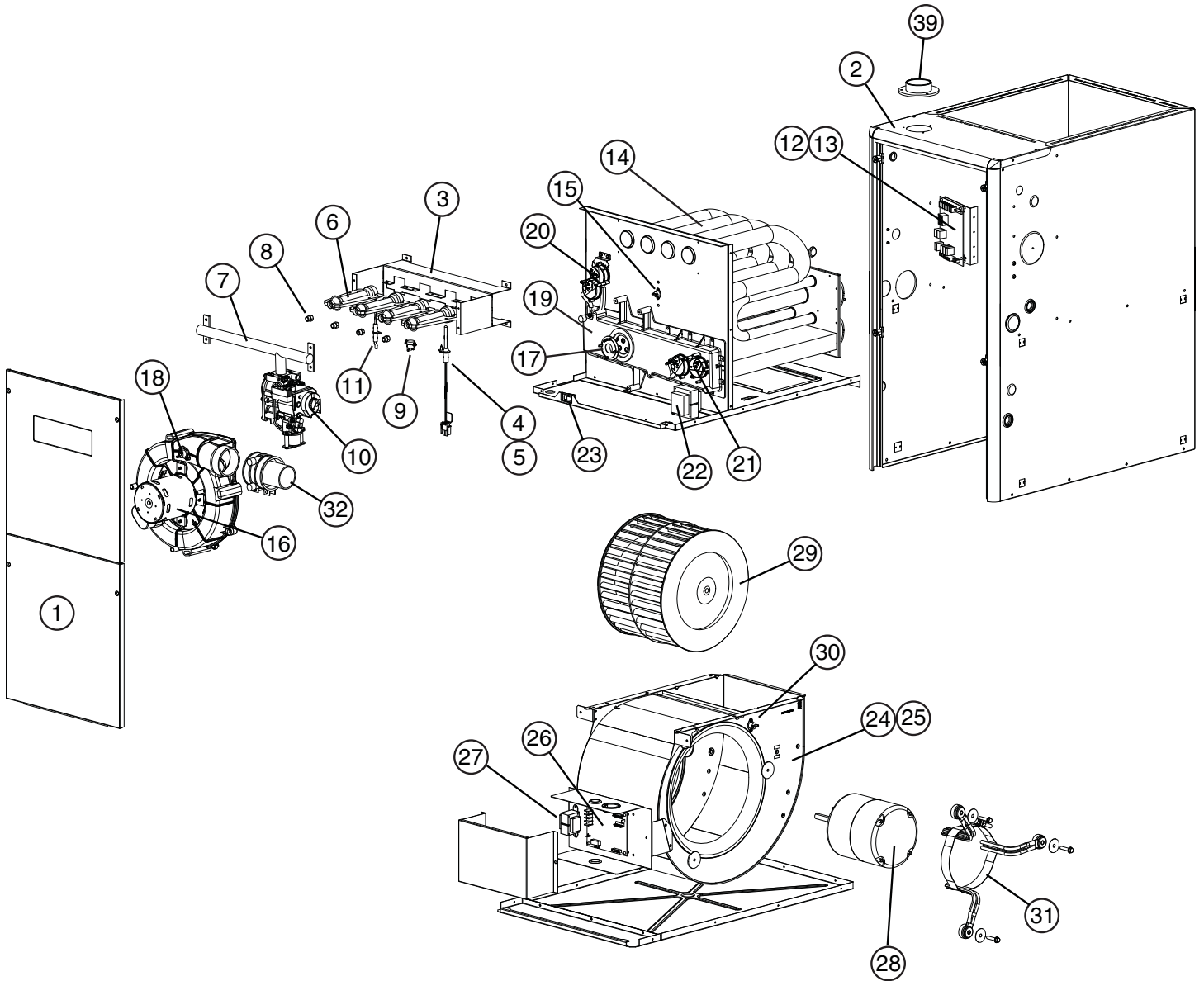
FOR COMPONENT LOCATIONS, SEE PAGE 3

PGC2TK-1 Downflow Replacement Parts List 80+ AFUE - Variable Speed

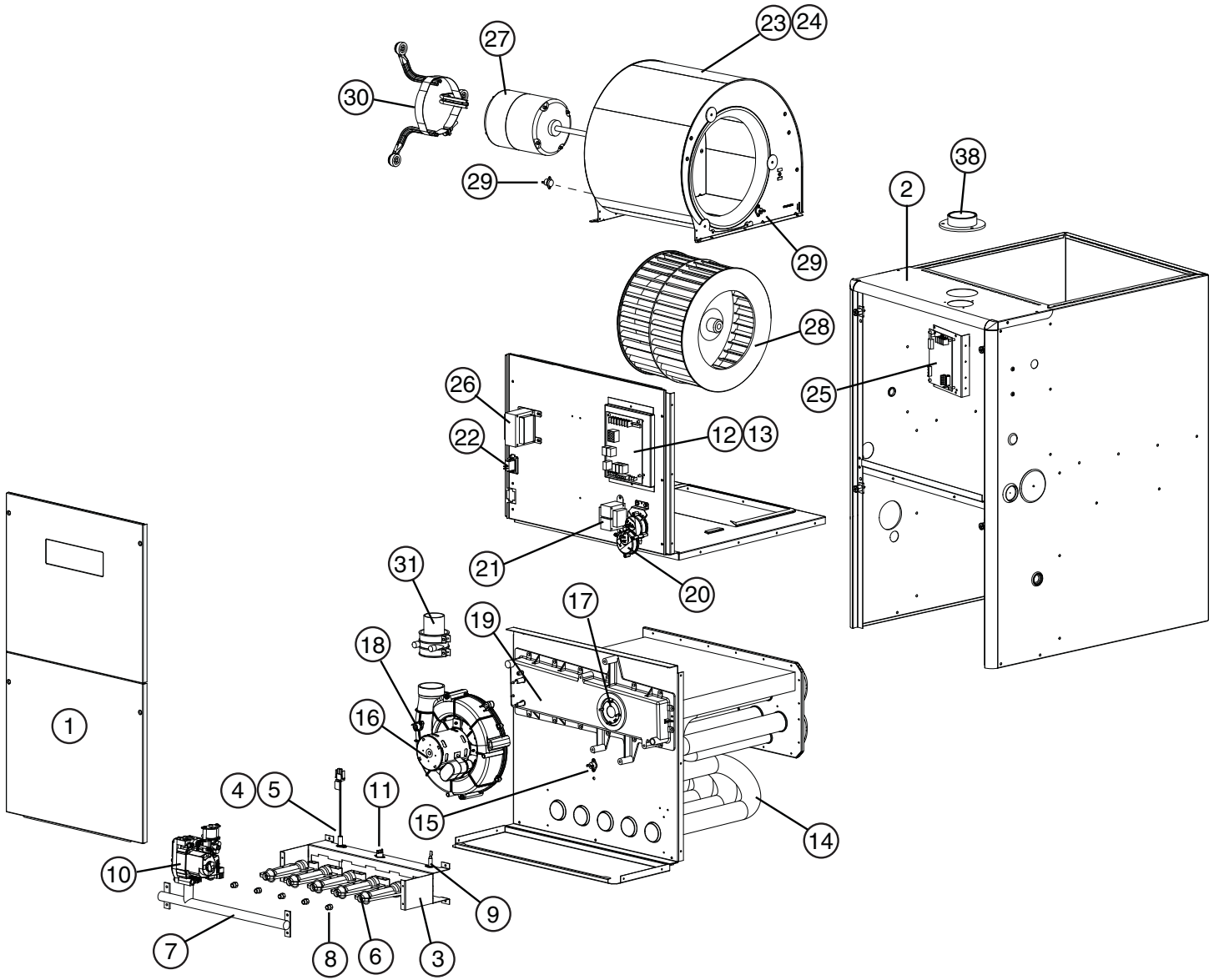
ITEM	DESCRIPTION	060-23A1	080-24B1	100-35C1	120-35C1
1	Door Set	904775	904776	904777	904777
2	Top Panel	295911R	295912R	295913R	295913R
3	Collector Pan with Gasket	904903	904977	904904	904816
4	Inducer Motor	904978	904978	904978	904978
5	Inducer Gasket (Not Shown)	689988	689988	689988	689988
6	Combustion Tube	299291	299291	299291	299291
7	Transformer	622341	622341	622341	622341
8	Control Board	920916	920916	920916	920916
9	Fuse	632261	632261	632261	632261
10	Pressure Switches	632566	632614	632566	632595
11	Heat Exchanger	904779	904780	904783	904868
12	Main Air Limit	626565	626562	626565	626564
13	Burner Assembly	904834	904835	904836	904837
14	Igniter Assembly - Nitride	921074	921074	921074	921074
15	Igniter Bracket	299261	299261	299261	299261
16	Inshot Burner	660921	660921	660921	660921
17	Manifold, Burner Tube	664228	664229	664230	664231
18	Orifice, Main Burner, Natural Gas	661045	661045	661045	661045
19	Flame Sensor	632484	632484	632484	632484
20	Gas Valve	624652	624652	624652	624652
21	Roll-Out Limit	626559	626560	626559	626560
22	Door Switch	632125	632125	632125	632125
23	Blower Assembly	904876	904877	904878	904878
24	Blower Housing Assembly	297200R	297207R	297204R	297204R
25	Blower Control Board	920918	920918	920918	920918
26	Choke, Blower Motor	Not Used	Not Used	622340	622340
27	Motor, Blower	921216	921216	921217	921217
28	Wheel, Blower	667375	667374	667280	667280
29	Blower Limit	626581	626581	626581	626581
30	Repl. Motor Mount Kit	904867	904907	904907	904907
31	Hose, High Temp (Not Shown)	263967	263967	263967	263967
32	Set of Wires (Not Shown)	M0036037	M0036019	M0036020	M0036020

FOR COMPONENT LOCATIONS, SEE PAGE 3

PGC2TC Upflow/Horizontal Component Location



PGC2TL Downflow Component Location



PGC2TC Upflow / Horizontal Replacement Parts List
95.1% AFUE - Fixed Speed

ITEM	DESCRIPTION	060-24B	080-35C	100-35C	120-45D
1	Door Set	904776	904777	904777	904778
2	Top Panel	2A9512R	2A9513R	2A9513R	2A9514R
3	Burner Assembly	904829	904830	904831	904832
4	Ignitor Assembly - Nitride	921074	921074	921074	921074
5	Igniter Bracket	299261	299261	299261	299261
6	Inshot Burner	661128	661128	661128	661128
7	Manifold, Burner Tube	664473	664243	664244	664245
8	Orifice, Main Burner, Natural Gas	661045	661045	661045	661045
9	Flame Sensor	632484	632484	632484	632484
10	Gas Valve	624652	624652	624652	624652
11	Roll-Out Limit	626560	626560	626560	626559
12	Control Board	920916	920916	920916	920916
13	Fuse	632261	632261	632261	632261
14	Heat Exchanger	904792	904793	904794	904795
15	Main Air Limit	626566	626566	626561	626561
16	Inducer Motor	904799	904799	904799	904799
17	Inducer Orifice	669719	669713	669716	Not Used
18	Inducer Limit	626557	626557	626557	626557
19	Outlet Header Box	904802	904803	904803	904804
20	Pressure Switches (Inducer)	632515	632546	632548	632516
21	Pressure Switches (Condensate)	632550	632547	632547	632554
22	Transformer	622341	622341	622341	622341
23	Door Switch	632125	632125	632125	632125
24	Blower Assembly	904873	904874	904874	904875
25	Blower Housing Assembly	297207R	297209R	297209R	297209R
26	Blower Control Board	920920	920920	920920	920920
27	Choke, Blower Motor	Not Used	622340	622340	622340
28	Motor, Blower	921216	921217	921217	921218
29	Wheel, Blower	667374	667280	667280	667280
30	Blower Limit	626581	626581	626581	626581
31	Repl. Motor Mount Kit	904907	904907	904907	904951
32	In-Line Drain Assembly	664435	664435	664435	664435
33	Drain Tube, Soft, 23" (Not Shown)	664434	664434	664434	664434
34	Drain Tube, Hard "J" (Not Shown)	663706	663706	663706	663706
35	Drain Tube, Soft, "J" 30" (Not Shown)	663707	663707	663707	663707
36	Tube, Soft, 6.5" (Not Shown)	663727	663727	663727	663727
37	Hose, High Temp (Not Shown)	263967	263967	263967	263967
38	Set of Wires (Not Shown)	M0036015	M0036017	M0036017	M0036017
39	Inlet Finish Flange	664491	664491	664491	664491

FOR COMPONENT LOCATIONS, SEE PAGE 12

PGC2TC Upflow / Horizontal Replacement Parts List
95.1% AFUE - Variable Speed

ITEM	DESCRIPTION	060-VB	080-VC	100-VC	120-VD
1	Door Set	904776	904777	904777	904778
2	Top Panel	2A9512R	2A9513R	2A9513R	2A9514R
3	Burner Assembly	904829	904830	904831	904832
4	Ignitor Assembly - Nitride	921074	921074	921074	921074
5	Igniter Bracket (Not Shown)	299261	299261	299261	299261
6	Inshot Burner	661128	661128	661128	661128
7	Manifold, Burner Tube	664473	664243	664244	664245
8	Orifice, Main Burner, Natural Gas	661045	661045	661045	661045
9	Flame Sensor	632484	632484	632484	632484
10	Gas Valve	624652	624652	624652	624652
11	Roll-Out Limit	626560	626560	626560	626559
12	Control Board	920916	920916	920916	920916
13	Fuse	632261	632261	632261	632261
14	Heat Exchanger	904792	904793	904794	904795
15	Main Air Limit	626566	626566	626561	626561
16	Inducer Motor	904799	904799	904799	904799
17	Inducer Orifice	669719	669713	669716	Not Used
18	Inducer Limit	626557	626557	626557	626557
19	Outlet Header Box	904802	904803	904803	904804
20	Pressure Switches (Inducer)	632515	632546	632548	632516
21	Pressure Switches (Condensate)	632550	632547	632547	632554
22	Transformer	622341	622341	622341	622341
23	Door Switch	632125	632125	632125	632125
24	Blower Assembly	904877	904878	904878	904879
25	Blower Housing Assembly	297207R	297209R	297209R	297209R
26	Blower Control Board	920918	920918	920918	920918
27	Choke, Blower Motor	Not Used	622340	622340	622340
28	Motor, Blower	921216	921217	921217	921218
29	Wheel, Blower	667374	667280	667280	667280
30	Blower Limit	626581	626581	626581	626581
31	Repl. Motor Mount Kit	904907	904907	904907	904951
32	In-Line Drain Assembly	664435	664435	664435	664435
33	Drain Tube, Soft, 23" (Not Shown)	664434	664434	664434	664434
34	Drain Tube, Hard "J" (Not Shown)	663706	663706	663706	663706
35	Drain Tube, Soft, "J" 30" (Not Shown)	663707	663707	663707	663707
36	Tube, Soft, 6.5" (Not Shown)	663727	663727	663727	663727
37	Hose, High Temp (Not Shown)	263967	263967	263967	263967
38	Set of Wires (Not Shown)	M0036015	M0036017	M0036017	M0036017
39	Inlet Finish Flange	664491	664491	664491	664491

FOR COMPONENT LOCATIONS, SEE PAGE 12

PGC2TL Downflow Replacement Parts List
95.1% AFUE - Fixed Speed

ITEM	DESCRIPTION	060-24B	080-35C	100-35C	120-45D
1	Door Set	904776	904777	904777	904778
2	Top Panel	2B3562R	2B3563R	2B3563R	2B3564R
3	Burner Assembly	904829	904830	904831	904832
4	Ignitor Assembly - Nitride	921074	921074	921074	921074
5	Igniter Bracket	299261	299261	299261	299261
6	Inshot Burner	661128	661128	661128	661128
7	Manifold, Burner Tube	664242	664243	664244	664245
8	Orifice, Main Burner, Natural Gas	661045	661045	661045	661045
9	Flame Sensor	632484	632484	632484	632484
10	Gas Valve	624652	624652	624652	624652
11	Roll-Out Limit	626560	626560	626560	626559
12	Control Board	920916	920916	920916	920916
13	Fuse	632261	632261	632261	632261
14	Heat Exchanger	904792	904793	904794	904795
15	Main Air Limit	626561	626561	626562	626561
16	Inducer Motor	904799	904799	904799	904799
17	Inducer Orifice	669718	669720	669735	669747
18	Inducer Limit	626557	626557	626557	626557
19	Outlet Header Box	904802	904803	904803	904804
20	Pressure Switches (Inducer)	632523	632546	632555	632523
21	Transformer	622341	622341	622341	622341
22	Door Switch	632125	632125	632125	632125
23	Blower Assembly	904873	904874	904874	904875
24	Blower Housing Assembly	297207R	297209R	297209R	297209R
25	Blower Control Board	920920	920920	920920	920920
26	Choke, Blower Motor	Not Used	622340	622340	622340
27	Motor, Blower	921216	921217	921217	921218
28	Wheel, Blower	667374	667280	667280	667280
29	Blower Limit/Blower Deck Limit	626581	626581	626581	626581
30	Repl. Motor Mount Kit	904907	904907	904907	904951
31	In-Line Drain Assembly	664435	664435	664435	664435
32	Drain Tube, Soft, 23" (Not Shown)	664434	664434	664434	664434
33	Drain Tube, Hard "J" (Not Shown)	663706	663706	663706	663706
34	Drain Tube, Soft, "J" 30" (Not Shown)	663707	663707	663707	663707
35	Tube, Soft, 5.5" (Not Shown)	664520	664520	664520	664520
36	Hose, High Temp (Not Shown)	263967	263967	263967	263967
37	Set of Wires (Not Shown)	M0036016	M0036018	M0036018	M0036018
38	Finish Flange, Inlet Air	664491	664491	664491	664491

FOR COMPONENT LOCATIONS, SEE PAGE 13

PGC2TL Downflow Replacement Parts List 95.1% AFUE - Variable Speed

ITEM	DESCRIPTION	060-VB	080-VC	100-VC	120-VD
1	Door Set	904776	904777	904777	904778
2	Top Panel	2B3562R	2B3563R	2B3563R	2B3564R
3	Burner Assembly	904829	904830	904831	904832
4	Ignitor Assembly - Nitride	921074	921074	921074	921074
5	Igniter Bracket	299261	299261	299261	299261
6	Inshot Burner	661128	661128	661128	661128
7	Manifold, Burner Tube	664242	664243	664244	664245
8	Orifice, Main Burner, Natural Gas	661045	661045	661045	661045
9	Flame Sensor	632484	632484	632484	632484
10	Gas Valve	624652	624652	624652	624652
11	Roll-Out Limit	626560	626560	626560	626559
12	Control Board	920916	920916	920916	920916
13	Fuse	632261	632261	632261	632261
14	Heat Exchanger	904792	904793	904794	904795
15	Main Air Limit	626561	626561	626562	626561
16	Inducer Motor	904799	904799	904799	904799
17	Inducer Orifice	669718	669720	669735	669747
18	Inducer Limit	626557	626557	626557	626557
19	Outlet Header Box	904802	904803	904803	904804
20	Pressure Switches (Inducer)	632523	632546	632555	632523
21	Transformer	622341	622341	622341	622341
22	Door Switch	632125	632125	632125	632125
23	Blower Assembly	904877	904878	904878	904879
24	Blower Housing Assembly	297207R	297209R	297209R	297209R
25	Blower Control Board	920918	920918	920918	920918
26	Choke, Blower Motor	Not Used	622340	622340	622340
27	Motor, Blower	921216	921217	921217	921218
28	Wheel, Blower	667374	667280	667280	667280
29	Blower Limit/Blower Deck Limit	626581	626581	626581	626581
30	Repl. Motor Mount Kit	904907	904907	904907	904951
31	In-Line Drain Assembly	664435	664435	664435	664435
32	Drain Tube, Soft, 23" (Not Shown)	664434	664434	664434	664434
33	Drain Tube, Hard "J" (Not Shown)	663706	663706	663706	663706
34	Drain Tube, Soft, "J" 30" (Not Shown)	663707	663707	663707	663707
35	Tube, Soft, 5.5" (Not Shown)	664520	664520	664520	664520
36	Hose, High Temp (Not Shown)	263967	263967	263967	263967
37	Set of Wires (Not Shown)	M0036021	M0036022	M0036022	M0036022
38	Finish Flange, Inlet Air	664491	664491	664491	664491

FOR COMPONENT LOCATIONS, SEE PAGE 13

NORDYNE
COMPLETE COMFORT. GENUINE VALUE.

O'Fallon MO



708817F

708817F (Replaces 708817E)

Specifications & illustrations
subject to change without
notice or incurring obligations.
Printed in U.S.A. (04/10)