

**REPLACEMENT PARTS LIST**

**SINGLE PACKAGE GAS HEATING / ELECTRIC  
COOLING ROOFTOP UNITS**

**R6GP-072, R6GP-090, & R6GP-120 SERIES**

**FOR UNITS PRODUCED AFTER MARCH 1, 2015**



**R6GP-090 Shown**

## R6GP REPLACEMENT PARTS LIST - 3 PHASE, 6 TON UNITS

ITEM	DESCRIPTION	R6GP- 072-100 (FIGURE 1)		R6GP- 072-166 (FIGURE 1)	
		208/230 V	460 V	208/230 V	460 V
1	PANEL, COIL ACCESS, FRONT	2A7161R	2A7161R	2A7161R	2A7161R
2	PANEL, COIL ACCESS, BACK	2A7171R	2A7171R	2A7171R	2A7171R
3	PANEL, EXT. CONDENSER, FRONT	2A7251R	2A7251R	2A7251R	2A7251R
4	GUARD, GRILLE, END, BLACK	669803	669803	669803	669803
5	PANEL, WIRE ACCESS, FRONT	—	—	—	—
6	PANEL, WIRE ACCESS, BACK	—	—	—	—
7	GUARD, GRILLE, COMP, CLOSEOFF, FRONT	669802	669802	669802	669802
8	GUARD, GRILLE, COMP, CLOSEOFF, BACK	669804	669804	669804	669804
9	POST, CORNER, FRONT	2A7231R	2A7231R	2A7231R	2A7231R
10	POST, CORNER, BACK	2A7241R	2A7241R	2A7241R	2A7241R
11	PANEL, EXT. CONDENSER / BLOWER DIVIDER, FRONT	M0036985R	M0036985R	M0036985R	M0036985R
12	PANEL, EXT. EVAPORATOR / CONDENSER DIVIDER	M0036975R	M0036975R	M0036975R	M0036975R
13	PANEL, EXT. BLOWER / HEAT EXCHANGER	M0036973R	M0036973R	M0036973R	M0036973R
14	PANEL, EXT. HX / EVAPORATOR DIVIDER	M0036974R	M0036974R	M0036974R	M0036974R
15	PANEL, CONTROL ACCESS	292131R	292131R	292131R	292131R
16	PANEL, EVAPORATOR ACCESS	D06821R	D06821R	D06821R	D06821R
17	PANEL, BLOWER ACCESS	M0036976R	M0036976R	M0036976R	M0036976R
18	PANEL, HX TUBE ACCESS	D06731R	D06731R	D06731R	D06731R
19	PANEL, BURNER ACCESS	386141R	386141R	386141R	386141R
20	HX END PANEL ASSM, GAS-PACK	M0036981R	M0036981R	M0036981R	M0036981R
21	HX CLOSE-OFF PANEL ASSM, GAS-PACK	—	—	—	—
22	PAN, HEAT EXCHANGER / EVAPORATOR TOP	M0025178R	M0025178R	M0025178R	M0025178R
23	PAN, CONDENSER TOP, 20" DUAL FAN	2A3071R	2A3071R	2A3071R	2A3071R
24	GRILLE, CONDENSER FAN, 24"	669404	669404	669404	669404
25	ORIFICE, CONDENSER FAN, 20"	263210R	263210R	263210R	263210R
26	MOTOR, OUTDOOR FAN - 208/230V	2A8481R	—	2A8481R	—
	MOTOR, OUTDOOR FAN - 460V	—	2A8482R	—	2A8482R
26a	CAPACITORS, OD FAN	622535	622535	622535	622535
27	BLOWER HOUSING AND WHEEL, 12 x 12	667284	667284	667284	667284
28	INDUCER BLOWER MOTOR ASSM	621780R	621780R	621780R	621780R
28a	GASKET, INDUCER HOUSING	689598	689598	689598	689598
28b	INDUCER MTR ORIFICE, 1 7/8"	—	—	2A8245R	2A8245R
	INDUCER MTR ORIFICE, 1 5/8"	2A8243R	2A8243R	—	—
29	COMPRESSOR, ZP61KCE-TF5-830, (208-230 V)	920579	—	920579	—
	COMPRESSOR, ZP61KCE-TFD-830, (460 V)	—	920580	—	920580
	SWITCH, HIGH PRES, MAN RESET, 1 STAGE (NOT SHOWN)	632534	632534	632534	632534
	SWITCH, LOW PRES, AUTO RESET, 1 STAGE (NOT SHOWN)	632522	632522	632522	632522
30	BLADE, CONDENSER FAN, 4 BLADE, 20"	667382	667382	667382	667382
31	BLOWER MOTOR, 1.0 HP, 208-230/460V, 3-PHASE	622389R	622389R	622389R	622389R
	MOTOR MOUNTING PLATE (NOT SHOWN)	2A8791R	2A8791R	2A8791R	2A8791R
	BELT TENSION BAR (NOT SHOWN)	606241	606241	606241	606241
32	ADJUSTABLE MOTOR SHEAVE, 1VP40 x 7/8"	667290	667290	667290	667290
33	BELT, BLOWER DRIVE, A44	669756	669756	669756	669756
34	PULLEY, INDOOR BLOWER, AK66	667386	667386	667386	667386
35	COMPLETE COIL ASSEMBLY, INDOOR	2A7391R	2A7391R	2A7391R	2A7391R
	DISTRIBUTOR, INDOOR, 13 CIRCUIT (NOT SHOWN)	664471	664471	664471	664471
	SWITCH, EVAPORATOR FREEZESTAT (NOT SHOWN)	626476	626476	626476	626476
36	COMPLETE COIL ASSEMBLY, OUTDOOR	2A7831R	2A7831R	2A7831R	2A7831R
37	CONDENSATE DRAIN PAN	669562	669562	669562	669562
38	DRAIN PIPE ASSEMBLY	664295R	664295R	664295R	664295R

Please specify the correct Model No., Serial No., and part no(s) when ordering parts from the nearest authorized dealer or service center.

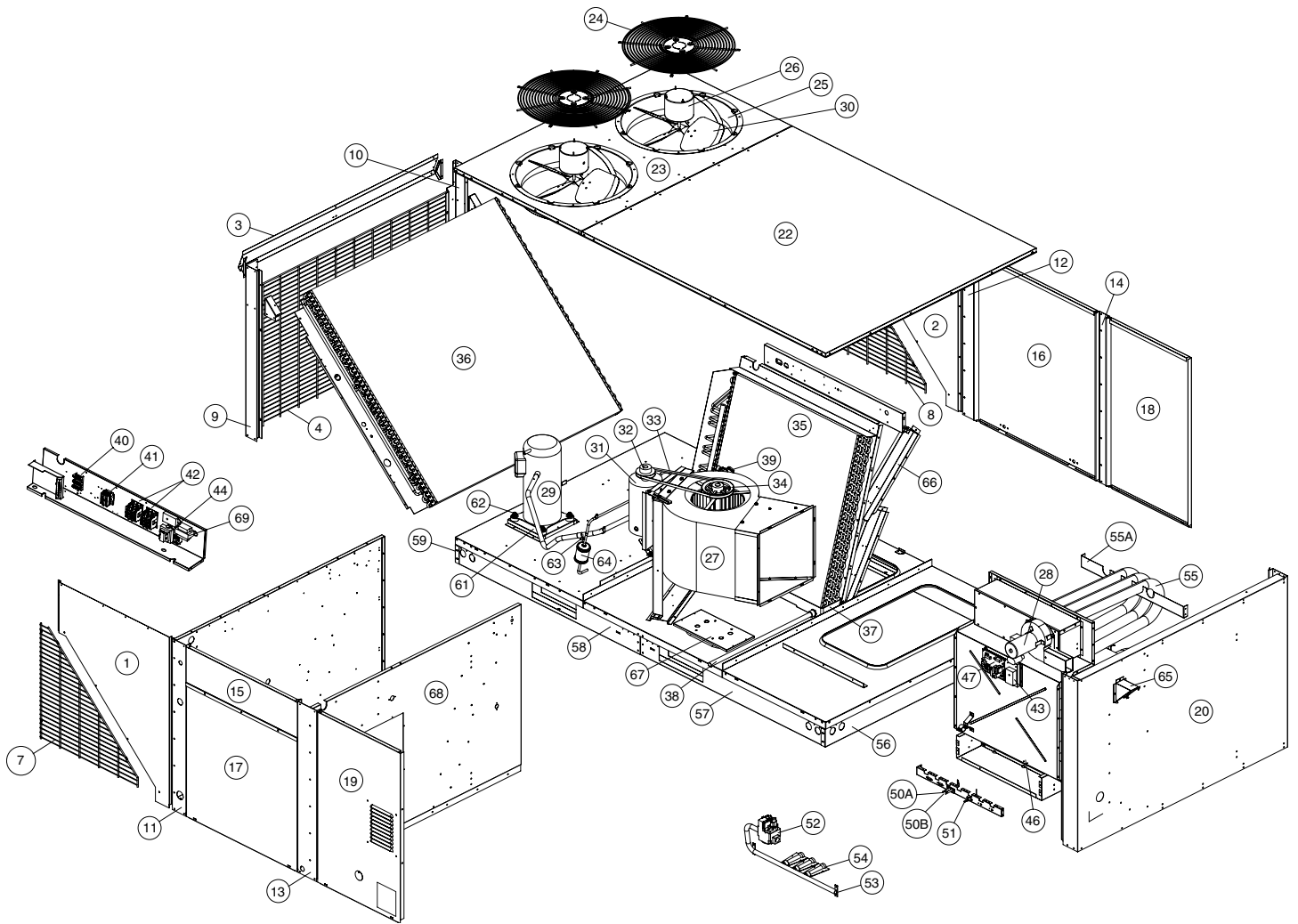
## R6GP REPLACEMENT PARTS LIST - 3 PHASE, 6 TON UNITS

ITEM	DESCRIPTION	R6GP- 072-100 (FIGURE 1)		R6GP- 072-166 (FIGURE 1)	
		208/230 V	460 V	208/230 V	460 V
39	THERMOSTATIC EXPANSION VALVE-INDOOR, 10 TON	669806	669806	669806	669806
40	TERMINAL BLOCK, HIGH VOLTAGE, 3 POLE	632348	632348	632348	632348
41	CONTACTOR, 2 POLE	621668	621668	621668	621668
42	CONTACTOR, 3 POLE	621832	621832	621832	621832
43	RELAY, BLOWER DELAY	624711	624711	624711	624711
44	TRANSFORMER, 208-230V, 75 VA w/ 4 AMP CRKT. BRKR.	621783	—	621783	—
	TRANSFORMER, 460V, 75 VA w/ 4 AMP CRKT. BRKR.	—	621795	—	621795
45	RELAY, DPST	—	—	—	—
46	LIMIT, FLAME ROLL-OUT	—	—	—	—
47	CONTROL, SPARK IGNITOR	624710	624710	624710	624710
48	RELAY, DPDT	—	—	—	—
49	RELAY, TIME DELAY (GAS PACK)	—	—	—	—
50A	IGNITOR, SPARK	632323	632323	632323	632323
50B	CABLE, IGNITOR	634806	634806	634806	634806
51	SENSOR, FLAME	632322	632322	632322	632322
52	VALVE, GAS, 2-STAGE, WHITE ROGERS, NAT. OR LP	—	—	—	—
	VALVE, GAS, 2-STAGE, HONEYWELL, NAT. GAS ONLY*	921816	921816	921816	921816
	VALVE, GAS, 2-STAGE, HONEYWELL, w/ LP REGULATOR SPRINGS**	921691	921691	921691	921691
53	MANIFOLD, GAS	664469	664469	664470	664470
53	ORIFICE, MAIN BURNER, #36 (NOT SHOWN)	661036	661036	661036	661036
54	BURNER, INSHOT	660907	660907	660907	660907
55	HX TUBE ASSEMBLY (ALUMINIZED STEEL)	664467	664467	664468	664468
	HX TUBE ASSMEMBLY (STAINLESS STEEL)	664650	664650	664651	664651
55a	HX TUBE SUPPORT	2A8021R	2A8021R	2A8021R	2A8021R
	TURBULATOR, HX TUBE (NOT SHOWN)	385600	385600	385600	385600
	GASKET, HX TUBE PLATE (NOT SHOWN)	689525	689525	689525	689525
56	RAIL, BASE - HEAT EXCHANGE END	289991R	289991R	289991R	289991R
57	RAIL, BASE - FRONT RIGHT	292051R	292051R	292051R	292051R
57	RAIL, BASE - BACK RIGHT (NOT SHOWN)	292061R	292061R	292061R	292061R
58	RAIL, BASE - FRONT LEFT	289631R	289631R	289631R	289631R
58	RAIL, BASE - BACK LEFT (NOT SHOWN)	289641R	289641R	289641R	289641R
59	RAIL, BASE - CONDENSER END	289621R	289621R	289621R	289621R
60	CONDENSER COIL SPACER	—	—	—	—
61	CRANKCASE HEATER - 240V / 70 W, 1 STAGE (NOT SHOWN)	632345	—	632345	—
	CRANKCASE HEATER - 480V / 70 W, 1 STAGE (NOT SHOWN)	—	632346	—	632346
62	COMPRESSOR BOLT, 5/16-18 x 1-1/2"	600400	600400	600400	600400
	COMPRESSOR MOUNTING GROMMET (NOT SHOWN)	668530	668530	668530	668530
63	CAP, SERVICE PORT, BRASS	663818	663818	663818	663818
	COVER, SERVICE PORT CAP, PINK R-410A	664127	664127	664127	664127
64	FILTER DRYER, EK-08-3-S	669492	669492	669492	669492
65	VENT COVER ASSM, INDUCER EXHAUST	265240R	265240R	265240R	265240R
66	FILTERS 16 X 20 X 2 - U.L. CLASS (NOT SHOWN)	668940	668940	668940	668940
67	BOTTOM POWER ENTRY COVER	263920R	263920R	263920R	263920R
68	LIMIT, GAS HX, 6T, BLOWER OUTLET, BOTTOM	626582	626582	626582	626582
	LIMIT, GAS HX, 6T, BLOWER OUTLET, TOP	626485	626485	626485	626485
69	TRANSFORMER, AUTO STEP-DOWN, 460V / 230V	—	621781	—	621781

\*Gas valve kit includes P/N 624787 gas valve and necessary wiring harness for field replacement of gas valve P/N 624652 where applicable.

\*\* Lp Gas valve kit is for field replacement of LP gas valve only in units already converted to LP gas with proper sized orifices and includes P/N 624787 gas valve, LP regulator springs, and necessary wiring harness for field replacement of gas valve P/N 624652 where applicable.

Please specify the correct Model No., Serial No., and part no(s) when ordering parts from the nearest authorized dealer or service center.



**Figure 1. R6GP - 072\*-(100/166)\* COMPONENT LOCATIONS (6 Ton Units)**

## R6GP REPLACEMENT PARTS LIST - 3 PHASE UNITS, 7.5 TON & 10 TON

ITEM	DESCRIPTION	R6GP- 090* (FIGURE 2)		R6GP-120* (FIGURE 2)	
		208/230 V	460 V	208/230 V	460 V
1	PANEL, COIL ACCESS, FRONT	2A1941R	2A1941R	291301R	291301R
2	PANEL, COIL ACCESS, BACK	2A2051R	2A2051R	291541R	291541R
3	PANEL, EXT. CONDENSER, FRONT	—	—	291361R	291361R
4	PANEL, EXT. CONDENSER, BACK	—	—	291451R	291451R
5	PANEL, WIRE ACCESS, FRONT	2A2041R	2A2041R	291371R	291371R
6	PANEL, WIRE ACCESS, BACK	2A2061R	2A2061R	292001R	292001R
7	GUARD, GRILLE, COMP, CLOSEOFF, FRONT	669775	669775	669625	669625
8	GUARD, GRILLE, COMP, CLOSEOFF, BACK	669776	669776	669673	669673
9	POST, CORNER, FRONT	288782R	288782R	288781R	288781R
10	POST, CORNER, BACK	288772R	288772R	288771R	288771R
11	PANEL, EXT. CONDENSER / BLOWER DIVIDER, FRONT	M0036985R	M0036985R	M0025185R	M0025185R
12	PANEL, EXT. EVAPORATOR / CONDENSER DIVIDER	M0036975R	M0036975R	M0025174R	M0025174R
13	PANEL, EXT. BLOWER / HEAT EXCHANGER	M0036973R	M0036973R	M0025189R	M0025189R
14	PANEL, EXT. HX / EVAPORATOR DIVIDER	M0036974R	M0036974R	M0025172R	M0025172R
15	PANEL, CONTROL ACCESS	292131R	292131R	292131R	292131R
16	PANEL, EVAPORATOR ACCESS	D07161R	D07161R	D07162R	D07162R
17	PANEL, BLOWER ACCESS	M0036976R	M0036976R	M0025173R	M0025173R
18	PANEL, HX TUBE ACCESS	386151R	386151R	386152R	386152R
19	PANEL, BURNER ACCESS	386141R	386141R	386142R	386142R
20	HX END PANEL ASSM, GAS-PACK	M0036981R	M0036981R	M0034972R	M0034972R
21	HX CLOSE-OFF PANEL ASSM, GAS-PACK	M0036972R	M0036972R	M0034975R	M0034975R
22	PAN, HEAT EXCHANGER / EVAPORATOR TOP	M0025178R	M0025178R	M0025178R	M0025178R
23	PAN, CONDENSER TOP, 24"	295491R	295491R	295491R	295491R
24	GRILLE, CONDENSER FAN, 24"	669202	669202	669202	669202
25	ORIFICE, CONDENSER, FAN 24"	295481R	295481R	295481R	295481R
26	MOTOR, OUTDOOR FAN, 208/230V, 1/3 HP	622252R	—	622252R	—
	MOTOR, OUTDOOR FAN, 460V, 1/3 HP	—	622253R	—	622253R
26A	CAPACITORS, OD FAN	622535	622535	622535	622535
27	BLOWER HOUSING AND WHEEL, 15 x 15	—	—	667285	667285
	BLOWER HOUSING AND WHEEL, 12 x 12	667284	667284	—	—
28	INDUCER BLOWER MOTOR ASSM	621780R	621780R	621780R	621780R
28a	GASKET, INDUCER HOUSING (NOT SHOWN)	689598	689598	689598	689598
29	COMPRESSOR, ZP51K5E-TF5-130, (208-230 V)	—	—	920332	—
	COMPRESSOR, ZP51K5E-TFD-130, (460 V)	—	—	—	920333
	COMPRESSOR, ZP39K5E-TF5-130, (208-230 V)	920365	—	—	—
	COMPRESSOR, ZP39K5E-TFD-130, (460 V)	—	920364	—	—
	SWITCH, HIGH PRES, MAN RESET, 1 STAGE (NOT SHOWN)	632534	632534	632506	632506
	SWITCH, HIGH PRES, MAN RESET, 2 STAGE (NOT SHOWN)	632545	632545	632507	632507
	SWITCH, LOW PRES, AUTO RESET, 1 STAGE (NOT SHOWN)	—	—	632335	632335
	SWITCH, LOW PRES, AUTO RESET, 2 STAGE (NOT SHOWN)	—	—	632479	632479
	SWITCH, LOW PRES, AUTO RESET, 1 STAGE (NOT SHOWN)	632522	632522	—	—
SWITCH, LOW PRES, AUTO RESET, 2 STAGE (NOT SHOWN)	632540	632540	—	—	
30	BLADE, CONDENSER FAN, 24", 3 BLADE	667364	667364	667364	667364
31	<b>FOR UNITS PRODUCED BEFORE MARCH 1, 2015</b>	—	—	—	—
	BLOWER MOTOR, 1.5 HP, 208-230/460V, 3-PHASE	622390R	622390R	622390R	622390R
	<b>FOR UNITS PRODUCED AFTER MARCH 1, 2015</b>	—	—	—	—
	BLOWER MOTOR, 1.5 HP, 208-230/460V, 3-PHASE	622390R	622390R	—	—
	BLOWER MOTOR, 2.0 HP, 208-230/460V, 3-PHASE	—	—	622391R	622391R

Please specify the correct Model No., Serial No., and part no(s) when ordering parts from the nearest authorized dealer or service center.

**R6GP REPLACEMENT PARTS LIST - 3 PHASE UNITS, 7.5 TON & 10 TON**

ITEM	DESCRIPTION	R6GP- 090* (FIGURE 2)		R6GP-120* (FIGURE 2)	
		208/230 V	460 V	208/230 V	460 V
32	ADJUSTABLE MOTOR SHEAVE, 1VP50 x 7/8"	667371	667371	667371	667371
	ADJUSTABLE MOTOR SHEAVE, 1VP44 x 7/8"	667317	667317	—	—
	ADJUSTABLE MOTOR SHEAVE, 1VP40 x 7/8"	667290	667290	667290	667290
33	BELT, BLOWER DRIVE, B49	—	—	669431	669431
	BELT, BLOWER DRIVE, A42	669483	669483	—	—
	BELT, BLOWER DRIVE, A43	669194	669194	—	—
34	PULLEY, INDOOR BLOWER, BK77	—	—	667393	667393
	PULLEY, INDOOR BLOWER, AK54	667379	667379	—	—
	PULLEY, INDOOR BLOWER, AK56	667380	667380	—	—
	PULLEY, INDOOR BLOWER, AK59	667381	667381	—	—
35	COMPLETE COIL ASSEMBLY, INDOOR	2A1201R	2A1201R	299911R	299911R
	DISTRIBUTOR, INDOOR, 8 CIRCUIT (NOT SHOWN)	663585	663585	663585	663585
	SWITCH, EVAPORATOR FREEZESTAT (NOT SHOWN)	626476	626476	626476	626476
36	COMPLETE COIL ASSEMBLY, OUTDOOR	2A1821R	2A1821R	299851R	299851R
	HAIL GUARD, PLASTIC MESH (NOT SHOWN)	669781	669781	669653	669653
37	CONDENSATE DRAIN PAN	669562	669562	669562	669562
38	DRAIN PIPE ASSEMBLY	664295R	664295R	664295R	664295R
39	THERMOSTATIC EXPANSION VALVE-INDOOR, 10 TON	669711	669711	669578	669578
40	TERMINAL BLOCK, HIGH VOLTAGE, 3 POLE	632348	632348	632348	632348
41	CONTACTOR, 2 POLE	621668	621668	621668	621668
42	CONTACTOR, 3 POLE	621832	621832	621832	621832
43	RELAY, BLOWER DELAY	621813	621813	621813	621813
44	TRANSFORMER, 208-230V, 75 VA w/ 4 AMP CRKT. BRKR.	621783	—	621783	—
	TRANSFORMER, 460V, 75 VA w/ 4 AMP CRKT. BRKR.	—	621795	—	621795
45	RELAY, DPST	621867	621867	621867	621867
46	LIMIT, FLAME ROLL-OUT	626478	626478	626478	626478
47	CONTROL, SPARK IGNITOR	624710	624710	624710	624710
48	RELAY, DPDT	622091	622091	622091	622091
49	RELAY, TIME DELAY (GAS PACK)	621811	621811	621811	621811
50A	CABLE, IGNITOR (NOT SHOWN)	632324	632324	632324	632324
		634733	634733	634733	634733
50B	IGNITOR, SPARK	632323	632323	632323	632323
51	SENSOR, FLAME	632322	632322	632322	632322
52	VALVE, GAS, 2-STAGE, WHITE ROGERS, NAT. OR LP	—	—	624695R	624695R
	VALVE, GAS, 2-STAGE, HONEYWELL, NAT. GAS ONLY*	921816	921816	—	—
	VALVE, GAS, 2-STAGE, HONEYWELL, w/ LP REGULATOR SPRINGS**	921691	921691	—	—

\*Gas valve kit includes P/N 624787 gas valve and necessary wiring harness for field replacement of gas valve P/N 624652 where applicable.

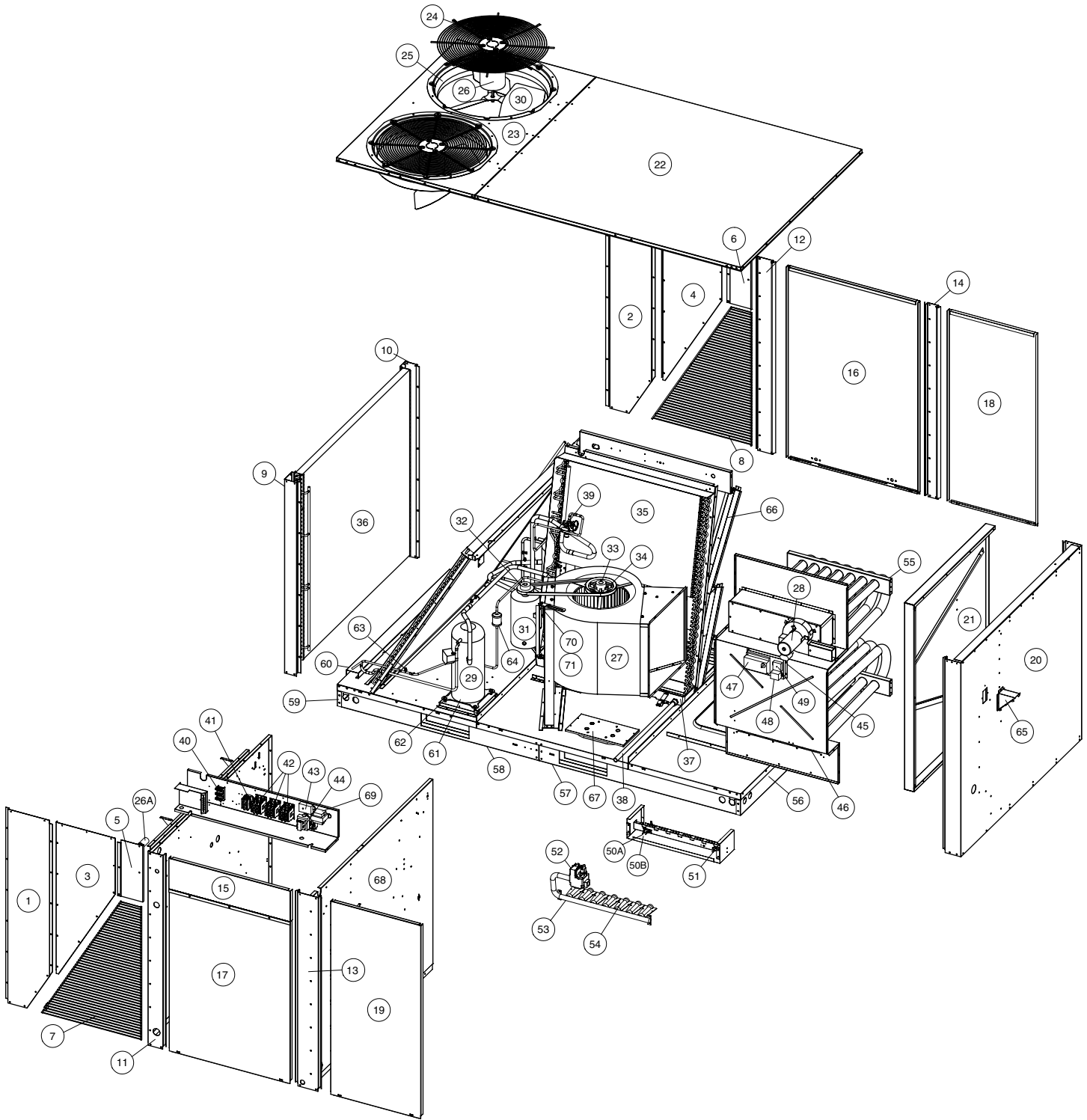
\*\* Lp Gas valve kit is for field replacement of LP gas valve only in units already converted to LP gas with proper sized orifices and includes P/N 624787 gas valve, LP regulator springs, and necessary wiring harness for field replacement of gas valve P/N 624652 where applicable.

Please specify the correct Model No., Serial No., and part no(s) when ordering parts from the nearest authorized dealer or service center.

## R6GP REPLACEMENT PARTS LIST - 3 PHASE UNITS, 7.5 TON & 10 TON

ITEM	DESCRIPTION	R6GP- 090* (FIGURE 2)		R6GP-120* (FIGURE 2)	
		208/230 V	460 V	208/230 V	460 V
53	MANIFOLD, GAS	664312	664312	664312	664312
		664311	664311	—	—
53	ORIFICE, MAIN BURNER, #36 (NOT SHOWN)	661036	661036	661036	661036
54	BURNER, INSHOT	660907	660907	660907	660907
55	HX TUBE ASSEMBLY (ALUMINIZED STEEL)	663731	663731	663732	663732
	HX TUBE ASSEMBLY (STAINLESS STEEL)	664680	664680	664681	664681
55a	TURBULATOR, HX TUBE (NOT SHOWN)	385600	385600	385600	385600
	GASKET, HX TUBE PLATE (NOT SHOWN)	689525	689525	689525	689525
56	RAIL, BASE - HEAT EXCHANGE END	289991R	289991R	289991R	289991R
57	RAIL, BASE - FRONT RIGHT	292051R	292051R	292051R	292051R
57	RAIL, BASE - BACK RIGHT (NOT SHOWN)	292061R	292061R	292061R	292061R
58	RAIL, BASE - FRONT LEFT	289631R	289631R	289631R	289631R
58	RAIL, BASE - BACK LEFT (NOT SHOWN)	289641R	289641R	289641R	289641R
59	RAIL, BASE - CONDENSER END	289621R	289621R	289621R	289621R
60	CONDENSER COIL SPACER	—	—	290841R	290841R
61	CRANKCASE HEATER - 240V / 40 W, 1 STAGE (NOT SHOWN)	632541	—	632510	—
	CRANKCASE HEATER - 240V / 40 W, 2 STAGE (NOT SHOWN)	632542	—	632511	—
	CRANKCASE HEATER - 480V / 40 W, 1 STAGE (NOT SHOWN)	—	632543	—	632512
	CRANKCASE HEATER - 480V / 40 W, 2 STAGE (NOT SHOWN)	—	632544	—	632513
62	COMPRESSOR BOLT, 5/16-18 x 1-1/2"	600400	600400	600400	600400
	COMPRESSOR MOUNTING GROMMET (NOT SHOWN)	668530	668530	668530	668530
63	CAP, SERVICE PORT, BRASS	663818	663818	663818	663818
	COVER, SERVICE PORT CAP, PINK R-410A	664127	664127	664127	664127
64	FILTER DRYER, EK-16-3-S	—	—	669493	669493
	FILTER DRYER, EK-08-3-S	669492	669492	—	—
65	VENT COVER ASSM, INDUCER EXHAUST	265240R	265240R	265240R	265240R
66	FILTERS 16 X 25 X 2 - U.L. CLASS (NOT SHOWN)	—	—	668932	668932
	FILTERS 16 X 20 X 2 - U.L. CLASS (NOT SHOWN)	668940	668940	—	—
67	BOTTOM POWER ENTRY COVER	263920R	263920R	263920R	263920R
68	LIMIT, GAS HX, 10T, BLOWER OUTLET, BOTTOM	—	—	626474	626474
	LIMIT, GAS HX, 10T, BLOWER OUTLET, TOP	—	—	626483	626483
	LIMIT, GAS HX, 7.5T, BLOWER OUTLET, TOP	626485	626485	—	—
	LIMIT, GAS HX, 7.5T, BLOWER OUTLET, BOTTOM	626576	626576	—	—
69	TRANSFORMER, AUTO STEP-DOWN, 460V / 230V	—	621781	—	621781
70	INDOOR BLOWER MOTOR MOUNTING PLATE (NOT SHOWN)	388080R	388080R	388080R	388080R
71	INDOOR BLOWER BELT TENSION BAR (NOT SHOWN)	606241	606241	606241	606241

Please specify the correct Model No., Serial No., and part no(s) when ordering parts from the nearest authorized dealer or service center.



**Figure 2. R6GP - 090\*-200\* & R6GP - 120\*-235\* COMPONENT LOCATIONS (7.5 & 10 Ton Units)**

