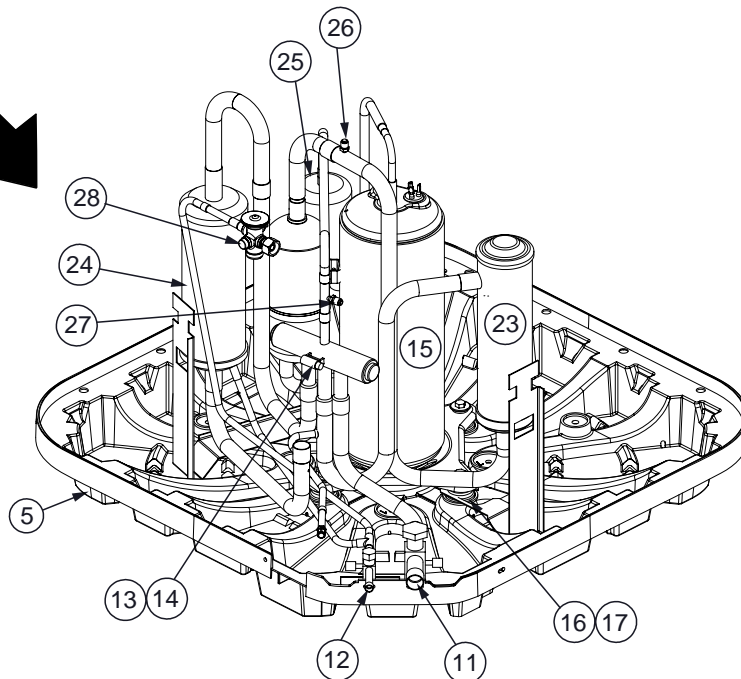
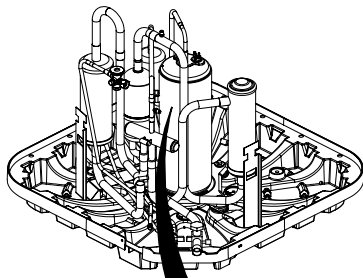
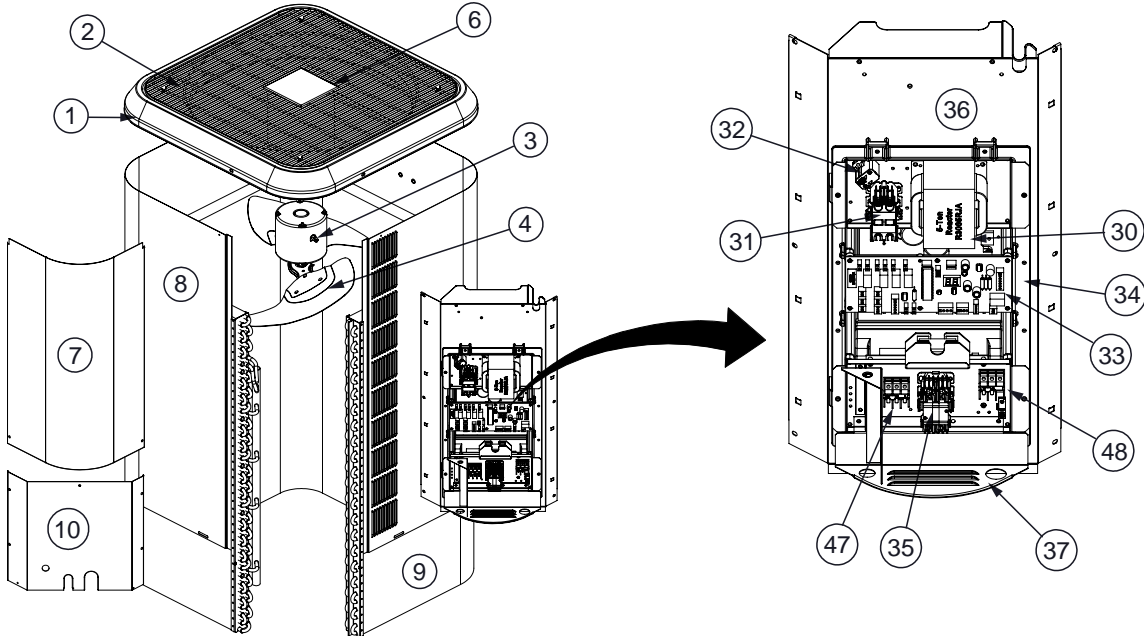


# REPLACEMENT PARTS LIST

## Residential Split System Heat Pump FT4BG Series



## FT4BG Series iQDrive Residential Split System Heat Pump

ITEM	DESCRIPTION	FT4BG-024K	FT4BG-036K	FT4BG-048K	FT4BG-060K
1	Top Pan	284721R	284721R	284721R	284721R
2	Fan Grille	669934	669934	669934	669934
3	Fan Motor	622648R	622648R	622648R	622649R
4	Fan Blade	667351	667351	667351	667351
5	Bottom Pan	669755	669755	669755	669755
6	Nut, double thick	606261	606261	606261	606261
7	Control Panel Cover	286630R	286630R	286630R	286630R
8	Coil Guard (formed)	277534R	277535R	277535R	277536R
9	Outdoor Coil (formed)	2B8781R	2B8782R	2B8783R	2B8784R
10	Access Panel	2C1021	2C1022	2C1022	2C1023
11	Refrigerant Service Valve, Vapor	663864	663865	663865	663865
12	Refrigerant Service Valve, Liquid	663862	663862	663862	663862
13	Reversing (4-way) Valve	669465	669936	669936	669936
14	Reversing Valve Coil & Wire Harness (not shown)	669470	669937	669937	669937
15	Compressor	622515R	622516R	622517R	622518R
16	Grommet, Compressor Mount (included with Compressor)	669914	690304	690304	690304
17	Bolt, Compressor	600419 (3)	600428 (4)	600428 (4)	600428 (4)
18	Fan Motor wire conduit (not shown)	664290	664290	664290	664290
19	Fan Motor Power Wire Harness (not shown)	634826	634826	634826	634826
20	Fan Motor Control Wire Harness (not shown)	634827	634827	634827	634827
21	Compressor Power Wire Harness (not shown)	634822	634822	634822	634821
22	Crankcase Heater (not shown)	632538	632538	632538	632538
23	Accumulator	669832	669833	669833	669833
24	Compensator Tank	669831	---	669422	669422
25	Muffler	669546	669546	669546	669546
26	Low Pressure Switch (not shown)	632634	632634	632634	632634
27	High Pressure Switch (not shown)	632473	632473	632473	632473
28	TXV (Thermostatic Expansion Valve)	669956	669957	669958	669958
29	Sound Blanket, Compressor (not shown)	690526	690527	690527	690528
30	Inverter Reactor (included with inverter assy)	624795	624795	624796	624797
31	Inverter Relay (included with inverter assy)	---	---	---	624803
32	Inverter PTC Resistor (included with inverter assy)	---	---	---	624804
33	Interface Board (included with inverter assy)	624767	624768	624769	624770
34	Inverter Assembly	624758R	624759R	624760R	624761R
35	Contacto	624713	624713	624713	624714
36	Control Panel (sheet metal only)	2C1031	2C1031	2C1031	2C1031
37	Field Connection Bracket (sheet metal with louvers)	2C0991	2C0991	2C0991	2C0991
38	Temperature Sensor, Ambient (Black) (not shown)	624780	624780	624780	624780
39	Temperature Sensor, Compressor Discharge (Red) (not shown)	624779	624779	624779	624779
40	Temperature Sensor, Defrost (White) (not shown)	624793	624793	624793	624793
41	Temperature Sensor, Coil (Yellow) (not shown)	624781	624781	624781	624781
42	Temperature Sensor, Suction (Blue) (not shown)	624782	624792	624792	624792
43	Field Wiring Harness (7-wire) (not shown)	2C3591	2C3591	2C3591	2C3591
44	Control Power Wire Harness (5-wire) (not shown)	2C3592	2C3592	2C3592	2C3592
45	Filter Drier (not shown)	669761	669761	669761	669761
46	Base Pad, Compressor (not shown)	690608	689975	689975	689975
47	Terminal Block, Compr (included with inverter assembly)	632642	632642	632642	632642
48	Terminal Block, Fan (included with inverter assembly)	---	---	---	632641

Please specify the correct Model No., Serial No., and part number(s) when ordering parts from the nearest authorized Dealer or Service Center.



Specifications & illustrations subject to change without notice or incurring obligations.  
O' Fallon MO | Printed in U.S.A (10/12)



**709231B** (Replaces 709231A)