

# QUICK REFERENCE DATA

## \*T4BE Series Residential Split System Heat Pump

14 SEER

Model Number: *T4BE		018K	024K	030K	036K	042K	048K	060K	
Electrical Data	Volts-Cycles-Phase (1)		208/230-60-1						
	Total Amps		11.86	16.34	15.7	16.98	20.82	21.24	27.64
	Delay Fuse Max. (2)		20	30	30	30	40	45	60
	Min. Circuit Ampacity		14.1	19.7	18.9	20.5	25.3	26.2	34.2
Condenser Data	Coil	Area	25.4	25.4	25.4	25.4	25.4	25.4	25.4
		Rows-FPI	1-20	1-20	1-20	1-20	1-20	2-16	2-16
		Tube Dia	3/8" O.D.						
	Fan Motor	Type	BLDC					PSC	
		Amps	2.9	2.9	2.9	2.9	2.9	1.4	1.4
		Watts-HP	1/3	1/3	1/3	1/3	1/3	1/4	1/4
	Compressor Data	RLA	8.96	13.44	12.8	14.08	17.92	19.84	26.24
LRA		48	58.3	64	77	112	109	134	
REFRIGERANT SUCTION LINE O.D NOTE: Liquid line is 3/8" O.D. for entire length.		0-24 ft.	3/4"	3/4"	3/4"	7/8"	7/8"	7/8"	7/8"
		25-39 ft.	3/4"	3/4"	3/4"	7/8"	7/8"	1 1/8" (3)	1 1/8" (3)
		40-75 ft.	3/4"	3/4"	3/4"	7/8"	7/8"	1 1/8" (3)	1 1/8" (3)
Refrigerant charge (R-410A) in ounces for outdoor unit, indoor unit and 15' line set. (4)		137	133	154	145	223	239	230	
Weight Approximate (lbs.)	Net	179	180	180	182	279	280	290	
	Ship	188	189	189	191	294	295	305	

- (1) Operating Voltage Range: 187v min. — 253v max.
- (2) HACR Type Circuit Breakers may be used.
- (3) Requires 7/8" to 3/4" reducer from line to unit.
- (4) Additional charge for line sets above 15 feet. Values based on suction line as follows with 3/8" liquid line.
  - (a) 3/4" = 0.6 oz. per additional foot.
  - (b) 7/8" = 0.7 oz. per additional foot.
  - (c) 1 1/8" = 0.8 oz. per additional foot.

Table 1. Electrical Specifications & Physical Data

Thermostat Wire Gauge	Recommended T-Stat Wire Unit to T-Stat (Length in FT)	
	2-Wire (Heating)	5-Wire (Heating/Cooling)
24	55	25
22	90	45
20	140	70
18	225	110

Table 2. Thermostat Wire Gauge

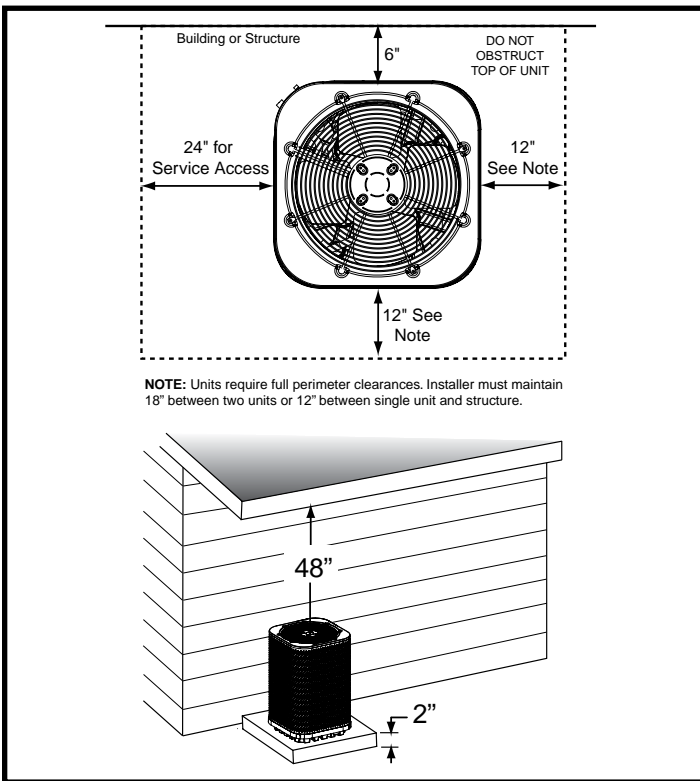


Figure 1. Clearance Requirements

Model JT4BE Shown

MODEL NUMBER	HEIGHT (H)	WIDTH (W)	DEPTH (D)
*T4BE-018K	43"	30 3/4"	30 3/4"
*T4BE-024K	43"	30 3/4"	30 3/4"
*T4BE-030K	43"	30 3/4"	30 3/4"
*T4BE-036K	43"	30 3/4"	30 3/4"
*T4BE-042K	43"	30 3/4"	30 3/4"
*T4BE-048K	43"	30 3/4"	30 3/4"
*T4BE-060K	43"	30 3/4"	30 3/4"

Table 3. Unit Dimensions

**Instructions:**

1. Find the column for the model of outdoor unit that is being installed.
2. Find the row for the model of the indoor unit that is being installed.
3. Find the cell in the table in which this row and column meet. In this cell the appropriate orifice / TXV and charge addition for this match are listed. If the text in this cell is BOLD, then a change of orifice is necessary.
4. If a change in restrictor is necessary, then the appropriate restrictor will already be supplied with the outdoor unit.

**Examples:**

- For the \*T4BE-048K / B6EMMX48K-C match, the appropriate TXV is the 669852 and no additional charge needs to be added. (NO CHANGES ARE NECESSARY)
- For the \*T4BE-036K / C7B(A,H)M03642(C,U)-B match, the 920670A TXV Kit is needed as well as an additional 2 ounces of charge. (TXV KIT AND CHARGE ADJUSTMENT NEEDED)

Model Number: *T4BE		018K	024K	030K	036K	042K	048K	060K
OD Restrictor Supplied With OD Unit:		0.037	0.041	0.041	0.055	0.055	0.062	0.067
Outdoor Unit BOM Charge (Oz.)		137	133	154	145	223	239	230
MODELS	SUPPLIED WITH ID	REQUIRED RESTRICTOR OR TXV / CHARGE ADDITION (OZ)						
<b>B4VM</b>								
B4VM-X24K-A	669564	669564 / 29	669564 / 33	--	--	--	--	--
B4VM-X24K-B	669564	669564 / 29	669564 / 33	--	--	--	--	--
B4VM-X30K-A	669565	--	--	669565 / 14	--	--	--	--
B4VM-X30K-B	669565	--	--	669565 / 14	--	--	--	--
B4VM-X36K-B	669566	--	--	--	669566 / 29	--	--	--
B4VM-X48K-B	669568	--	--	--	--	669568 / 33	--	--
B4VM-X48K-C	669568	--	--	--	--	669568 / 33	669568 / 7	--
B4VM-X60K-C	669578	--	--	--	--	--	669578 / 7	669578 / 0
<b>B5BM-X</b>								
B5B(M,V)-X25K-A	669564	669564 / 29	669564 / 33	--	--	--	--	--
B5B(M,V)-X25K-B	669564	669564 / 29	669564 / 33	--	--	--	--	--
B5B(M,V)-X30K-A	669565	--	--	669565 / 14	--	--	--	--
B5B(M,V)-X30K-B	669565	--	--	669565 / 14	--	--	--	--
B5B(M,V)-X37K-B	669566	--	--	--	669566 / 29	--	--	--
B5B(M,V)-X42K-B	669567	--	--	--	--	669567 / 33	--	--
B5B(M,V)-X48K-B	669568	--	--	--	--	669568 / 33	--	--
B5B(M,V)-X49K-C	669568	--	--	--	--	669568 / 33	--	--
B5B(M,V)-X60K-C	669578	--	--	--	--	--	669578 / 7	669578 / 0
<b>B6BM</b>								
B6BM-X24K-A	669564	669564 / 29	669564 / 33	--	--	--	--	--
B6BM-X24K-B	669564	669564 / 29	669564 / 33	--	--	--	--	--
B6BM-X30K-A	669565	--	--	669565 / 14	--	--	--	--
B6BM-X30K-B	669565	--	--	669565 / 14	--	--	--	--
B6BM-X36K-B	669566	--	--	--	--	--	--	--
B6BM-X42K-B	669567	--	--	--	--	669567 / 33	--	--
B6BM-X48K-C	669568	--	--	--	--	--	669568 / 7	--
B6BM-X60K-C	669578	--	--	--	--	--	--	--
<b>B6EM</b>								
B6EMMX24K-A	669564	669564 / 38	669564 / 46	--	--	--	--	--
B6EMMX24K-B	669564	669564 / 35	669564 / 46	--	--	--	--	--
B6EMMX30K-A	669565	--	--	669565 / 10	--	--	--	--
B6EMMX30K-B	669565	--	--	669565 / 26	--	--	--	--
B6EMMX36K-B	669566	--	--	--	699566 / 22	--	--	--
B6EMMX42K-B	669567	--	--	--	--	669567 / 0	--	--
B6EMMX48K-C	669852	--	--	--	--	669852 / 30	669852 / 0	--
B6EMMX60K-C	669578	--	--	--	--	--	--	669578 / 23

**NOTES:**

- Gray cells require the outdoor restrictor to be changed as well. See Table 5.
- The charges listed are only valid for the standard 15' lineset.
- Part numbers beginning with 669\*\*\* are TXV part numbers and numbers listed as 0.\*\*\* are restrictor diameters.

**Table 4. Restrictor or TXV / Charge Addition (Oz)**

**Instructions:**

1. Find the column for the model of outdoor unit that is being installed.
2. Find the row for the model of the indoor unit that is being installed.
3. Find the cell in the table in which this row and column meet. In this cell the appropriate orifice / TXV and charge addition for this match are listed. If the text in this cell is BOLD, then a change of orifice is necessary.
4. If a change in restrictor is necessary, then the appropriate restrictor will already be supplied with the outdoor unit.

**Examples:**

- For the \*T4BE-048K / B6EMMX48K-C match, the appropriate TXV is the 669852 and no additional charge needs to be added. (NO CHANGES ARE NECESSARY)
- For the \*T4BE-036K / C7B(A,H)M03642(C,U)-B match, the 920670A TXV Kit is needed as well as an additional 2 ounces of charge. (TXV KIT AND CHARGE ADJUSTMENT NEEDED)

Model Number: *T4BE		018K	024K	030K	036K	042K	048K	060K
OD Restrictor Supplied With OD Unit:		0.037	0.041	0.041	0.055	0.055	0.062	0.067
Outdoor Unit BOM Charge (Oz.)		137	133	154	145	223	239	230
MODELS	SUPPLIED WITH ID	REQUIRED RESTRICTOR OR TXV / CHARGE ADDITION (OZ)						
<b>B6EW</b>								
B6EW-018K	669564	669564 / 7	--	--	--	--	--	--
B6EW-024K	669564	--	669564 / 42	--	--	--	--	--
B6EW-030K	669565	--	--	669565 / 0	--	--	--	--
B6EW-036K	669566	--	--	--	669566 / 0	--	--	--
<b>B6VM</b>								
B6VMAX24K-A	669564	669564 / 29	669564 / 33	--	--	--	--	--
B6VMAX24K-B	669564	669564 / 29	669564 / 33	--	--	--	--	--
B6VMAX30K-A	669565	--	--	669565 / 14	--	--	--	--
B6VMAX30K-B	669565	--	669565 / 33	669565 / 14	--	--	--	--
B6VMAX36K-B	669566	--	--	--	669566 / 29	--	--	--
B6VMAX42K-B	669567	--	--	--	--	669567 / 33	--	--
B6VMAX48K-C	669568	--	--	--	--	669568 / 33	669568 / 7	--
B6VMAX60K-C	669578	--	--	--	--	--	--	669578 / 0
<b>C6</b>								
C6B(A,H)-X24(C,U)-A	669564	669564 / 29	669564 / 33	--	--	--	--	--
C6B(A,H)-X24(C,U)-B	669681	669681 / 29	669681 / 33	--	--	--	--	--
C6B(A,H)-X30(C,U)-A	669565	--	--	669565 / 14	--	--	--	--
C6B(A,H)-X30(C,U)-B	669682	--	--	669682 / 14	--	--	--	--
C6B(A,H)-X30(C,U)-C	669682	--	669682 / 33	669682 / 14	--	--	--	--
C6B(A,H)-X36(C,U)-B	669683	--	--	--	669683 / 29	--	--	--
C6B(A,H)-X36(C,U)-C	669683	--	--	--	669683 / 29	--	--	--
C6B(A,H)-X42(C,U)-B	669684	--	--	--	--	669684 / 33	--	--
C6B(A,H)-X42(C,U)-C	669684	--	--	--	--	669684 / 33	--	--
C6B(A,H)-X42(C,U)-D	669684	--	--	--	--	669684 / 33	--	--
C6B(A,H)-X48(C,U)-C	669852	--	--	--	--	--	669852 / 7	--
C6B(A,H)-X48(C,U)-D	669852	--	--	--	--	--	669852 / 7	--
C6B(A,H)-X60(C,U)-C	669686	--	--	--	--	--	--	669686 / 0
C6B(A,H)-X60(C,U)-D	669686	--	--	--	--	--	--	669686 / 0
<b>C7-0</b>								
C7B(A,H)M01824(C,U)-A	0.048	<b>920668A / 0</b>	<b>920668A / 18</b>	--	--	--	--	--
C7B(A,H)M01824(C,U)-B	0.055	<b>920668A / 6</b>	<b>920668A / 0</b>	--	--	--	--	--
C7B(A,H)M030(C,U)-C	0.061	--	--	<b>920669A / 20</b>	--	--	--	--
C7B(A,H)M03036(C,U)-A	0.061	--	--	<b>920669A / 20</b>	--	--	--	--
C7B(A,H)M03036(C,U)-B	0.067	--	--	<b>920669A / 20</b>	--	--	--	--
C7B(A,H)M03642(C,U)-B	0.071	--	--	--	<b>920670A / 2</b>	<b>920671A / 29</b>	--	--
C7B(A,H)M03648(C,U)-C	0.067	--	--	--	<b>920670A / 2</b>	<b>920671A / 29</b>	--	--
C7B(A,H)M042(C,U)-D	0.071	--	--	--	--	<b>920671A / 29</b>	--	--
C7B(A,H)M048(C,U)-C	0.077	--	--	--	--	--	<b>920672A / 18</b>	--
C7B(A,H)M048(C,U)-D	0.087	--	--	--	--	--	<b>920672A / 18</b>	--

**NOTES:**

- Gray cells require the outdoor restrictor to be changed as well. See Table 5.
- The charges listed are only valid for the standard 15' lineset.
- Part numbers beginning with 669\*\*\*are TXV part numbers and numbers listed as 0.\*\*\* are restrictor diameters.
- Bold part numbers beginning with a 9 are TXV kit numbers and must be ordered separately.

**Table 4. Restrictor or TXV / Charge Addition (Oz) - Continued**

OD Unit	ID Unit	Factory Installed Restrictor	Correct Outdoor Restrictor
*T4BE-018K	B6EMMX24K-(A,B)	0.037	0.039
	B6EW-018K		0.041
	C7B(A,H)M01824(C,U)-(A,B)		0.039
*T4BE-024K	B6EMMX24K-(A,B)	0.041	0.042
	B6EW-024K		0.047
	C7B(A,H)M01824(C,U)-(A,B)		0.043
*T4BE-030K	B6EMMX30K-(A,B)	0.041	0.049
	B6EW-030K		0.051
	C7B(A,H)M030(C,U)-C		0.049
	C7B(A,H)M03036(C,U)-(A,B)		0.049
*T4BE-042K	C7B(A,H)M03642(C,U)-B	0.055	0.057
	C7B(A,H)M03648(C,U)-C		0.057
	C7B(A,H)M042(C,U)-D		0.057

**Table 5. Outdoor Restrictor Changes**

