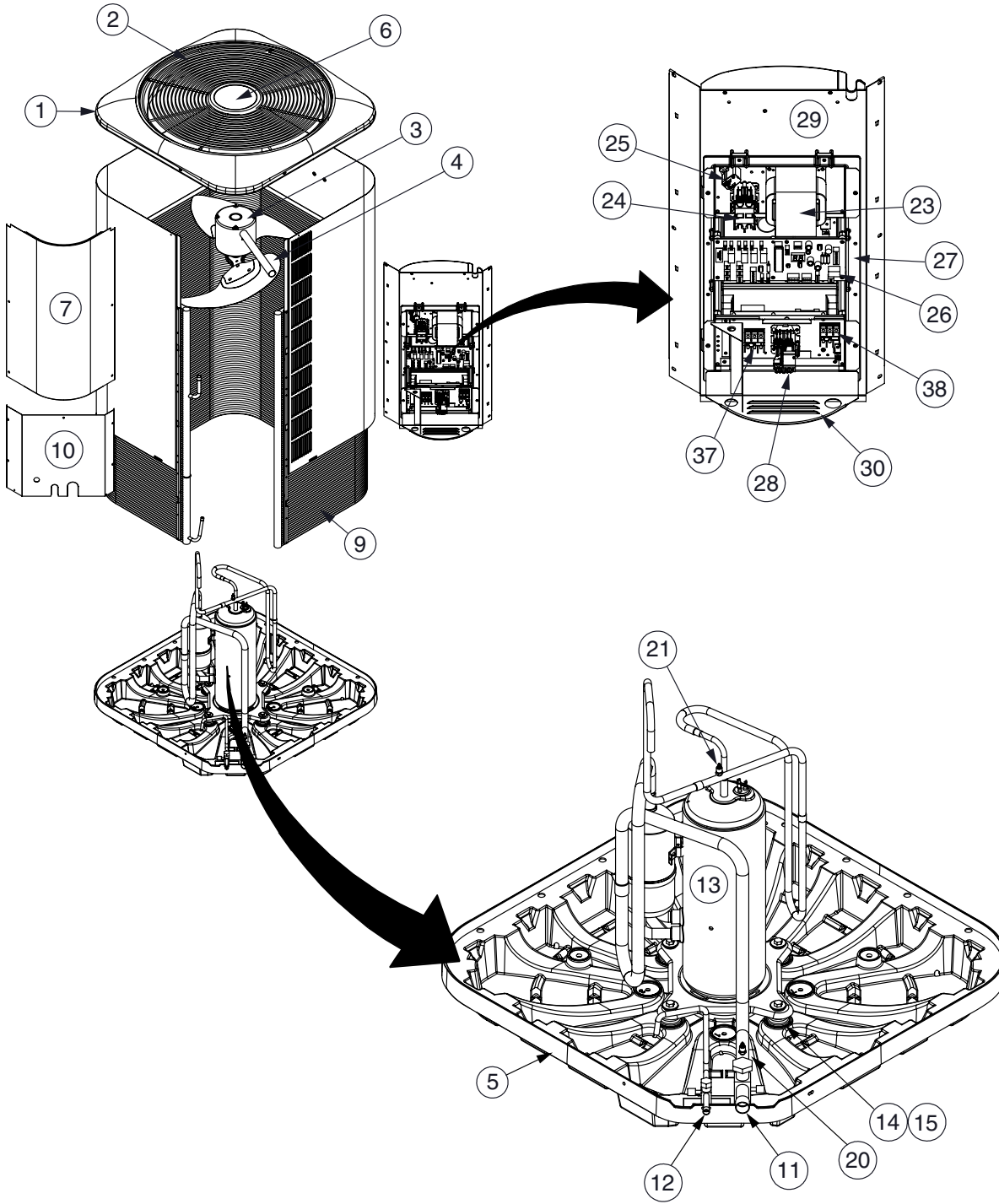


REPLACEMENT PARTS LIST

RESIDENTIAL SPLIT SYSTEM AIR CONDITIONER

PSA4BG SERIES

20 SEER MODELS



PSA4BG SERIES RESIDENTIAL SPLIT SYSTEM AIR CONDITIONER

ITEM	DESCRIPTION	PSA4BG024K	PSA4BG036K	PSA4BG048K	PSA4BG060K
1	TOP PAN	284711R	284701R	284701R	284701R
2	FAN GRILLE	669592	669591	669591	669591
3	FAN MOTOR	622718R	622648R	622648R	622649R
4	FAN BLADE	667345	667351	667351	667351
5	BOTTOM PAN	669989	669990	669990	669990
6	NUT, DOUBLE THICK	606261	606261	606261	606261
7	CONTROL PANEL COVER	286630BR	286630BR	286630BR	286630BR
8	COIL GUARD (FORMED)	277524SR	277534SR	277536SR	277536SR
9	OUTDOOR COIL (FORMED)	1010332R	1010330R	1010331R	1010331R
10	ACCESS PANEL	2C1021BR	2C1021BR	2C1023BR	2C1023BR
11	REFRIGERANT SERVICE VALVE, VAPOR	663864	663865	663865	663865
12	REFRIGERANT SERVICE VALVE, LIQUID	663862	663862	663862	663862
13	COMPRESSOR	622515R	622516R	622517R	622518R
14	GROMMET, COMPRESSOR MOUNT (INCLUDED WITH COMPRESSOR)	669914	690304	690304	690304
15	BOLT, COMPRESSOR	600428	600428	600428	600428
16	FAN MOTOR WIRE CONDUIT (NOT SHOWN)	664292	664290	664290	664290
17	FAN MOTOR POWER WIRE HARNESS (NOT SHOWN)	634826	634826	634826	634826
18	FAN MOTOR CONTROL WIRE HARNESS (NOT SHOWN)	634827	634827	634827	634827
19	COMPRESSOR POWER WIRE HARNESS (NOT SHOWN)	634822	634822	634822	634821
20	LOW PRESSURE SWITCH	632634	632634	632634	632634
21	HIGH PRESSURE SWITCH	632473	632473	632473	632473
22	SOUND BLANKET, COMPRESSOR (NOT SHOWN)	690526	690527	690527	690528
23	INVERTER REACTOR (INCLUDED WITH INVERTER ASSY)	624795	624795	624796	624797
24	INVERTER RELAY (INCLUDED WITH INVERTER ASSY)	—	—	—	624803
25	INVERTER PTC RESISTOR (INCLUDED WITH INVERTER ASSY)	—	—	—	624804
26	INTERFACE BOARD (INCLUDED WITH INVERTER ASSY)	624834	624835	624836	624837
27	INVERTER ASSEMBLY	624822R	624823R	624824R	624825R
28	CONTACTOR	624827	624827	624827	624828
29	CONTROL PANEL (SHEET METAL ONLY)	2C7711R	2C1031R	2C1031R	2C1031R
30	FIELD CONNECTION BRACKET (SHEET METAL WITH LOUVERS)	2C0991BR	2C0991BR	2C0991BR	2C0991BR
31	TEMPERATURE SENSOR, AMBIENT (BLACK) (NOT SHOWN)	624780	624780	624780	624780
32	TEMPERATURE SENSOR, COMPRESSOR DISCHARGE (RED) (NOT SHOWN)	624779	624779	624779	624779
33	FIELD WIRING HARNESS (NOT SHOWN)	2C7881R	2C7881R	2C7881R	2C7881R
34	CONTROL POWER WIRE HARNESS (5-WIRE) (NOT SHOWN)	2C3592R	2C3592R	2C3592R	2C3592R
35	FILTER DRIER (NOT SHOWN)	669764	669764	669764	669764
36	BASE PAD, COMPRESSOR (NOT SHOWN)	690608	689975	689975	689975
37	TERMINAL BLOCK, COMPR (INCLUDED WITH INVERTER ASSEMBLY)	632642	632642	632642	632642
38	TERMINAL BLOCK, FAN (INCLUDED WITH INVERTER ASSEMBLY)	—	—	—	632641

Please specify the correct Model No. , Serial No., and part number(s) when ordering parts from the nearest authorized Dealer or Service Center.

