

QUICK REFERENCE DATA

*T4QE SERIES SPLIT SYSTEM HEAT PUMP WITH MICROCHANNEL COILS

14 SEER

MODEL NUMBER: *T4QE		024KA	030KA	036KA	042KA	048KA	
ELECTRICAL DATA	Volts-Cycles-Phase (1)						
	Total Amps		14.4	13.7	15.1	19.4	21.3
	Delay Fuse Max. (2)		30	25	30	40	45
	Min. Circuit Ampacity		17.7	16.9	18.6	23.9	26.3
CONDENSER DATA	Coil	Area	17.5	22.5	25.0	24.4	24.4
		Rows-FPI	1 - 14	1 - 14	1 - 14	1 - 14	1 - 14
		Tube Dia	MC				
	Fan Motor	Type	PSC				
		Amps	0.9	0.9	1.0	1.5	1.5
		HP	0.13	0.13	0.20	0.25	0.25
	Compressor Data	RLA	13.4	12.8	14.1	17.9	19.8
		LRA	58.3	64.0	77.0	112.0	109.0
Recommended Refrigerant suction line O.D.* NOTE: Liquid line is 3/8" O.D. for entire length.		0-24 ft.	3/4"	3/4"	7/8"	7/8"	7/8"
		25-39 ft.	3/4"	3/4"	7/8"	7/8"	7/8"
		40-75 ft.	3/4"	3/4"	7/8"	7/8"	7/8"
REFRIGERANT CHARGE: R-410A in ounces for outdoor unit, indoor unit and 15' line set. (4)		68.0	72.0	87.0	115.0	115.0	
Approximate Weight (lbs.)		Net	163	178	182	202	204
		Ship	172	187	191	211	213

- (1) Operating Voltage Range: 187v min. — 253v max.
 - (2) HACR Type Circuit Breakers may be used.
 - (3) Requires 7/8" to 3/4" reducer from line to unit.
 - (4) Requires 7/8" to 1-1/8" reducer from line to unit.
 - (5) Additional charge for line sets above 15 feet. Values based on suction line as follows with 3/8" liquid line.
 - (a) 3/4" = 0.6 oz. per additional foot.
 - (b) 7/8" = 0.7 oz. per additional foot.
 - (c) 1 1/8" = 0.8 oz. per additional foot.
- * For other line set dimensions, refer to the Application Guidelines for Refrigerant Lines Addendum.

THERMOSTAT WIRE GAUGE	MAXIMUM RECOMMENDED THERMOSTAT WIRE LENGTH (FT)
24	25
22	45
20	70
18	110

Table 1. Electrical Specifications & Physical Data

Table 2. Thermostat Wire

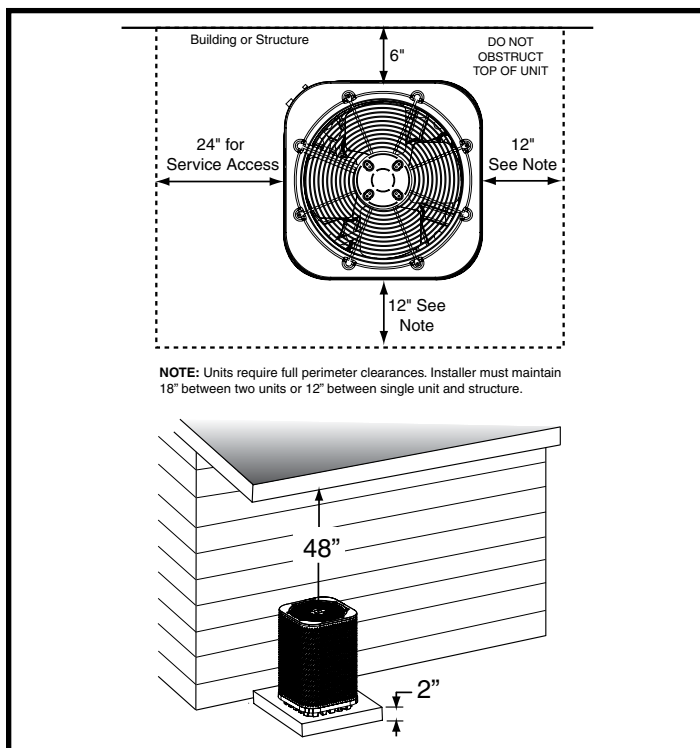
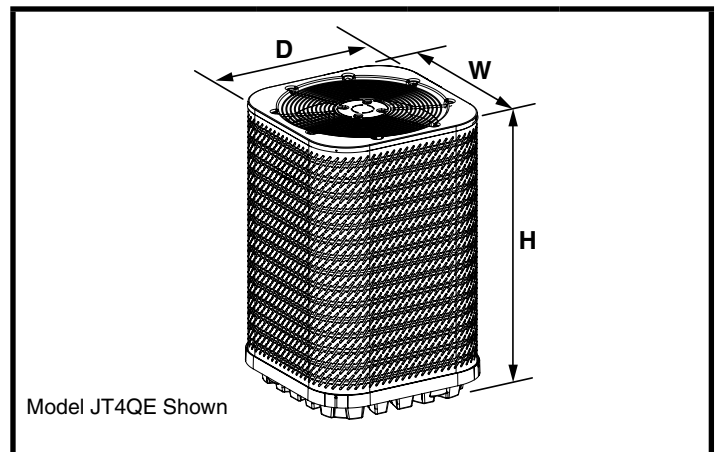


Figure 1. Clearance Requirements



MODEL NUMBER	HEIGHT (H)	WIDTH (W)	DEPTH (D)
*T4QE-024KA	31 1/2"	30 3/4"	30 3/4"
*T4QE-030KA	39 1/2"	30 3/4"	30 3/4"
*T4QE-036KA	43 1/2"	30 3/4"	30 3/4"
*T4QE-042KA	43 1/2"	30 3/4"	30 3/4"
*T4QE-048KA	43 1/2"	30 3/4"	30 3/4"

Table 3. Unit Dimensions

Instructions:

1. Find the column for the model of outdoor unit that is being installed.
2. Find the row for the model of the indoor unit that is being installed.
3. Find the cell in the table in which this row and column meet. In this cell the appropriate orifice / TXV and charge addition for this match are listed. If the text in this cell is BOLD, then a change of orifice is necessary.
4. If a change in restrictor is necessary, then the appropriate restrictor will already be supplied with the outdoor unit.

Examples:

- For the *T4QE-024KA / C8QAMX24U-B match the correct TXV is the 669564 and no additional charge needs to be added (NO CHANGES NECESSARY).
- For the *T4QE-042KA / C8QAMX42U-B match the correct TXV is the 669684 and no additional charge needs to be added (NO CHANGES NECESSARY).

ID RESTRICTOR INSTALLED WITH ID UNIT	MODEL NUMBER: *T4QE		024KA	030KA	036KA	042KA	048KA
	OD RESTRICTOR SUPPLIED WITH OD UNIT:		0.042	0.051	0.055	0.057	0.06
	OUTDOOR UNIT BOM CHARGE (OZ.)		93	97	105	115	117
	MODELS	SUPPLIED WITH ID	REQUIRED RESTRICTOR OR TXV (CHARGE ADDITION (OZ) / RATED AIRFLOW (SCFM))				
	C8-X						
	C8QAMX24U-B	669564	669564 (0 / 810)	--	--	--	--
	C8QAMX30U-B	669565	--	669565 (0 / 980)	--	--	--
	C8QAMX36U-B	669566	--	--	669566 (0 / 1140)	--	--
	C8QAMX42U-B	669684	--	--	--	669684 (0 / 1355)	--
	C8QAMX49U-B	669852	--	--	--	--	669852 (0 / 1460)

NOTES:

- The charges listed are only valid for the standard 15' lineset.
- Part numbers beginning with 669***are TXV part numbers and numbers listed as 0.*** are restrictor diameters.

Table 4. Restrictor or TXV / Charge Addition (Oz)

