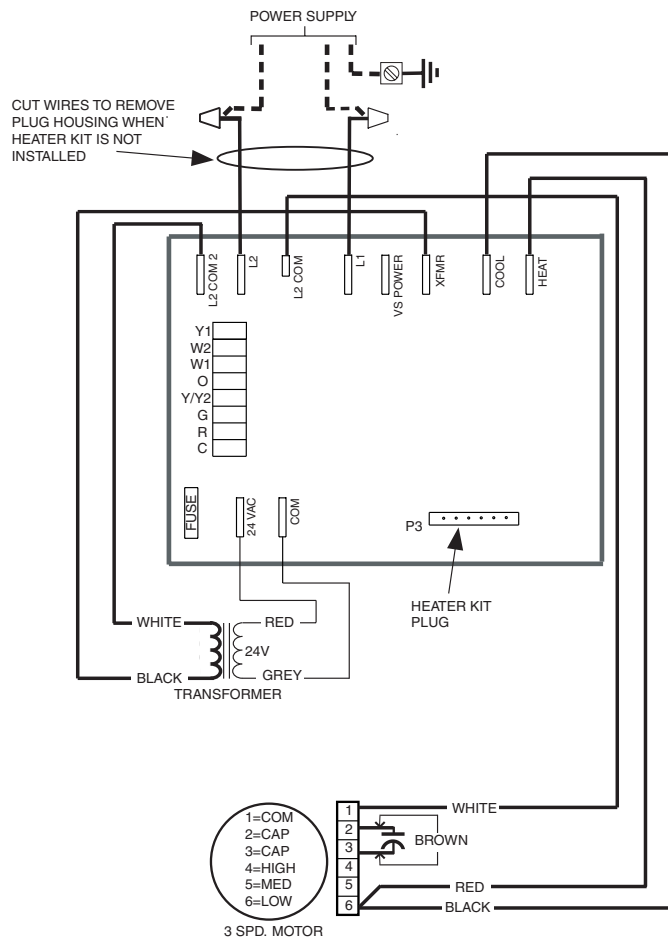


# WIRING DIAGRAM

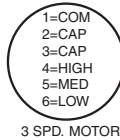
## Air Handler



### NOTES:

1. The blower motor speed tap connection may not be as shown. See the Installation Instructions.
2. Disconnect all power before servicing.
3. Transformer may have a dual voltage primary tap. Match the tap position with the supply voltage used.
4. If the internal wiring is replaced, use only 105°C copper wire of the same gauge.

BLOWER MOTOR PLUG	1
1 = COM	2
2 = CAP	3
3 = CAP	4
4 = HIGH	5
5 = MED	6
6 = LOW	



### Legend

Field Wiring	-----
Factory Wiring	_____
Low Voltage	_____
High Voltage	_____



710538A

710538A