

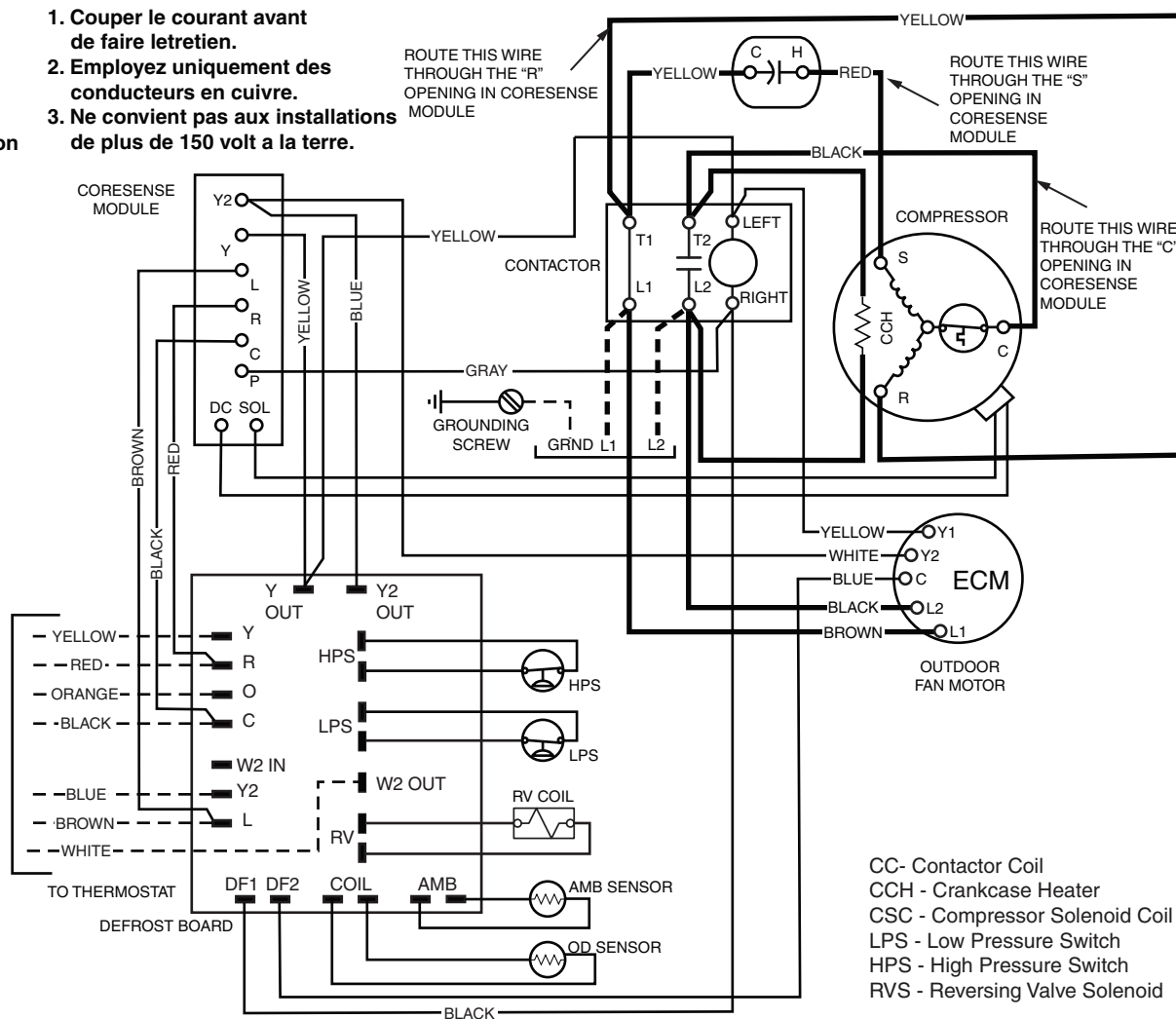
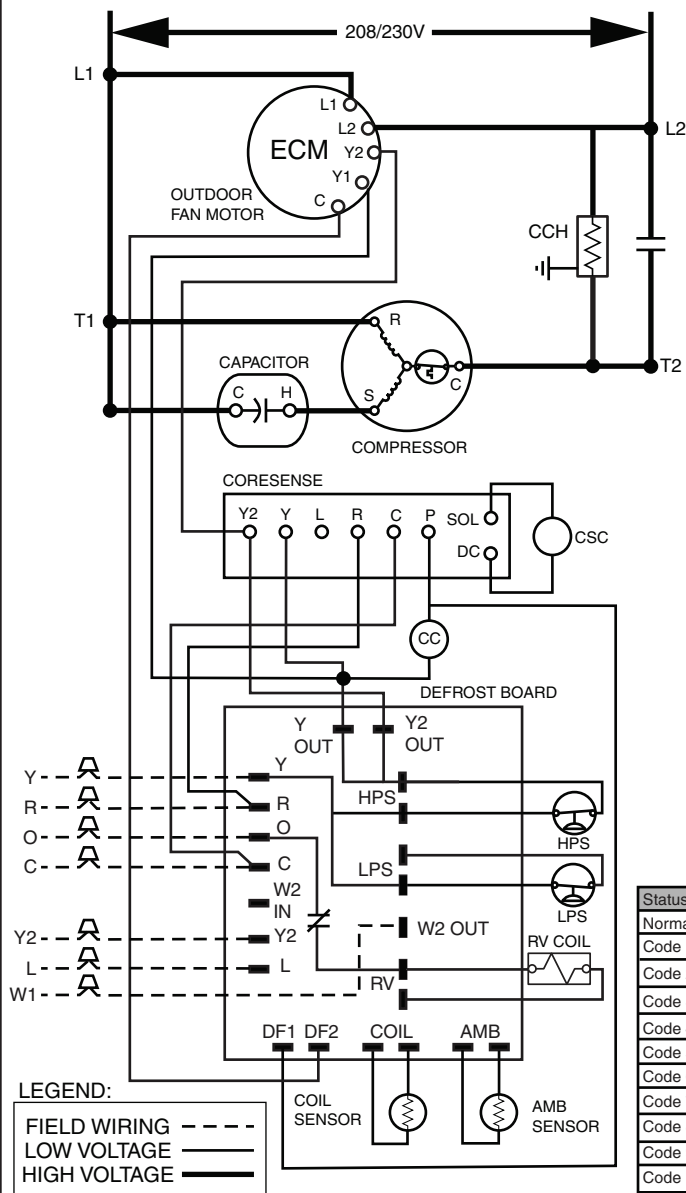
WIRING DIAGRAM

Two Stage Split System Heat Pump (Outdoor Section) With Demand Defrost and ECM Fan Motor 208/230V Single Phase / 60 Hz.

NOTES:

1. Disconnect all power before servicing.
2. For supply connections use copper conductors only.
3. Not suitable on systems that exceed 150 volts to ground.
4. For replacement wires use conductors suitable for 105 °C
5. For ampacities and overcurrent protection, see unit rating plate.
6. Connect to 24 vac/40va/class 2 circuit. See furnace/airhandler installation instructions for control circuit and optional relay/transformer kits.

1. Couper le courant avant de faire leretien.
2. Employez uniquement des conducteurs en cuivre.
3. Ne convient pas aux installations de plus de 150 volt a la terre.



Status LED	CoreSense™ LED DESCRIPTION	Lockout Level	Lockout Indication
Normal Run; Solid Green	Normal Operation, no trip	N/A	N/A
Code 1; Yellow Flash 1	Long Run Time. Compressor running extremely long run cycle. (disabled in HP mode.)	N/A	N/A
Code 2; Yellow Flash 2	Compressor Pressure Trip. Disch. or suct. pressure out of limits or compressor overloaded.	4 cons, 10x total	Red: Flash 2
Code 3; Yellow Flash 3	Short Cycling. Compressor is running only briefly.	4 cons, 10x total	Red: Flash 3
Code 4; Yellow Flash 4	Locked Rotor.	10 consecutive	Red: Flash 4
Code 5; Yellow Flash 5	Compressor Moderate Run. Compressor runs >15min, then trips >7min.	4 cons, 10x total	Red: Flash 5
Code 6; Red Flash 6	Open Start Circuit. Current only in run circuit.	1 Occurrence	Red: Flash 6
Code 7; Red Flash 7	Open Start Circuit. Current only in start circuit.	1 Occurrence	Red: Flash 7
Code 8; Yellow Flash 8	Welded Contactor. Compressor always runs.	N/A	N/A
Code 9; Yellow Flash 9	Low Voltage. Control circuit <17 VAC.	N/A	N/A
Code 10; Red Flash 10	Over Current Protection. PROT terminal has >2A input for more than 40ms	1 Occurrence	Red: Flash 10



711211A
(Replaces 7112110)